

PA197 Secure network design



Basic wireless networking



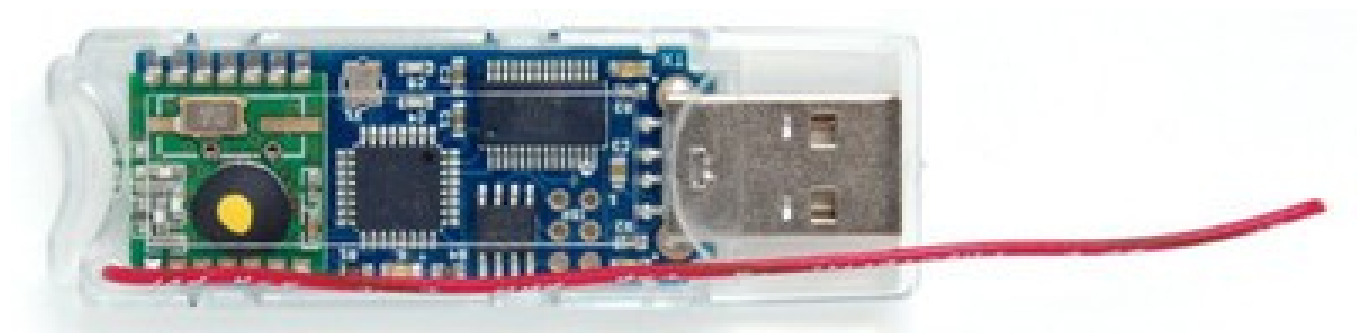
Lukáš Němec Lukas.nemec@mail.muni.cz
Petr Švenda
Faculty of Informatics, Masaryk University

CS

Centre for Research on
Cryptography and Security

Laboratory

- Start of implementing ad-hoc networks based on Arduino with RF module
 - Basic Arduino programming model
 - RF library – send packet between two nodes
 - Neighbours discovery (logical communication group)



Laboratory

- Download and run Arduino IDE
 - <https://www.arduino.cc/en/Main/Software>
- (On Linux: `usermod -a -G dialout your_username`)
- Plug in JeeNode
- Select COM port
 - Can be assigned to different values
 - Try other ports if selected does not work
- Board: Arduino Mini
- Processor: ATmega328

File→Examples→01.Basics→Blink

- Basic application, should blink the LED
- During upload, Rx and Tx small leds are blinking
- After upload, blue LED should blink (1 second)

- You should now be able to compile and upload app
 - If LED is not blinking, check PIN value
 - Should be 9 for JeeNode => 13->9

Blink.ino

```
// the setup function runs once when you press reset or power the board
```

```
void setup() {
```

```
  // initialize digital pin as an output.
```

```
  pinMode(9, OUTPUT);
```

```
}
```

```
// the loop function runs over and over again forever
```

```
void loop() {
```

```
  digitalWrite(9, HIGH); // turn the LED on (HIGH is the voltage level)
```

```
  delay(1000);           // wait for a second
```

```
  digitalWrite(9, LOW); // turn the LED off by making the voltage LOW
```

```
  delay(1000);           // wait for a second
```

```
}
```

- (Note that PIN used for LED can be different on different boards, 9 on JeeNode)

Troubleshooting

- Check if you have proper board and processor
 - Arduino Mini, ATmega328
- Don't have serial monitor running if going to upload new app
- Try to re-plug jeenode
- Try to plug into different USB port
- Try to restart Arduino IDE
- Check if you have same serial port speed on arduino and port monitor
 - Try different speeds, otherwise you will see garbled data
- Try again (anything 😊)

File → Examples ... → DigitalReadSerial

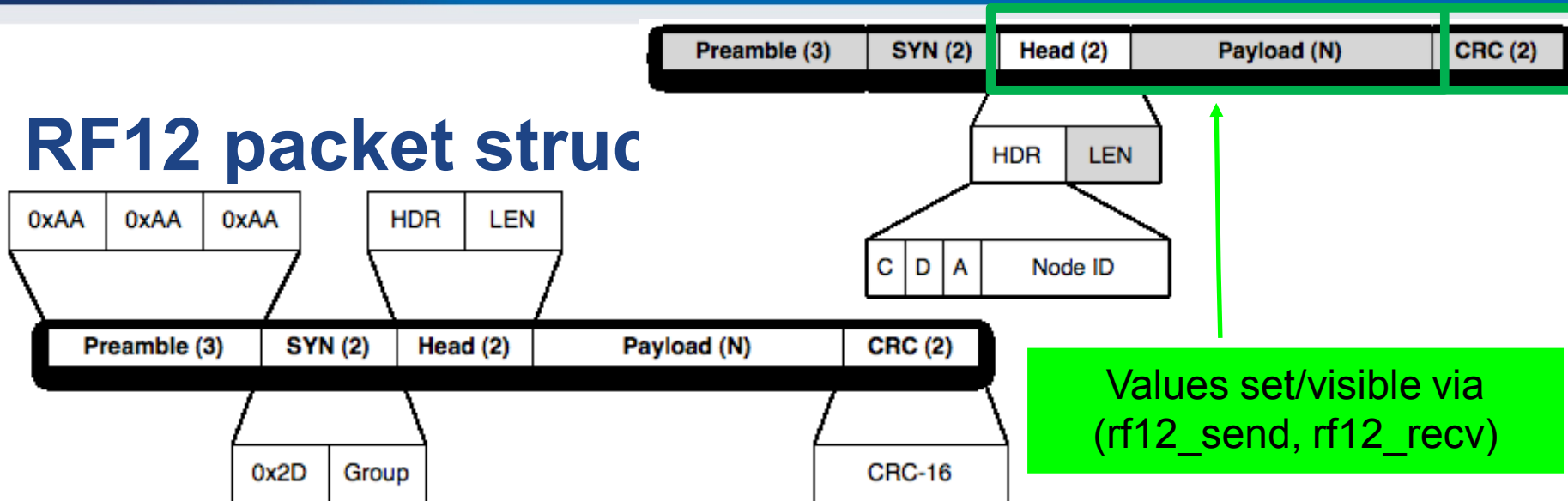
- Original code prints state of button to serial port
- Run Serial monitor
 - Will automatically restart Arduino board
 - Observe data as print out
- Modify to print out loop counter (instead of button)
 - Small red LED should blink during data transfer
- You should now be able to upload application and see data via serial port
- You may use any other application to capture data
 - <https://github.com/gskielian/Arduino-DataLogging/tree/master/PySerial>

RF NETWORKING WITH JEELIB

JeeLib library

- Provides support for JeeNode radio module
- Download Jeelib-master.lib
 - <https://github.com/jcw/jeelib/archive/master.zip>
- Documentation: <http://jeelabs.org/pub/docs/jeelib/index.html>
- Add library into Arduino IDE
 - Sketch → Include library → Add .ZIP library
 - Examples are now available: Examples → jeelib-master

RF12 packet struc



- C = CTL, D = DST, A = ACK, 5-bit node ID
 - A bit (ACK) – indicates if sender wants to get ACK back
 - D bit (DST) – indicates if node ID bits specify destination or source node
 - C bit (CTL) – 1 if packet is ACK (and A must be 0)
- To send packet only to node with nodeID
 - `rf12_sendNow(RF12_HDR_DST | nodeID, &data, dataLen);`
- Warning: radio is always broadcast in nature, filtering only in driver!
- <http://jeelabs.org/2011/06/09/rf12-packet-format-and-design/index.html>
- <http://jeelabs.org/2011/06/10/rf12-broadcasts-and-acks/index.html>

```
#include <JeeLib.h>
```

test1.ino

```
const byte LED = 9;  
byte counter;
```

```
// turn the on-board LED on or off  
static void led (bool on) {  
  pinMode(LED, OUTPUT);  
  digitalWrite(LED, on ? 0 : 1); // inverted logic  
}
```

```
void setup () {  
  // this is node 1 in net group 100 on the 868 MHz band  
  rf12_initialize(1, RF12_868MHZ, 100);  
}
```

```
void loop () {  
  led(true);  
  
  // actual packet send: broadcast to all, current counter, 1 byte long  
  rf12_sendNow(0, &counter, 1);  
  rf12_sendWait(1);  
  
  led(false);  
  
  // increment the counter (it'll wrap from 255 to 0)  
  ++counter;  
  // let one second pass before sending out another packet  
  delay(1000);  
}
```

```
rf12_sendNow(RF12_HDR_DST | nodeID, ...);  
rf12_sendNow(RF12_HDR_DST | nodeID | RF12_HDR_ACK |, ...);
```

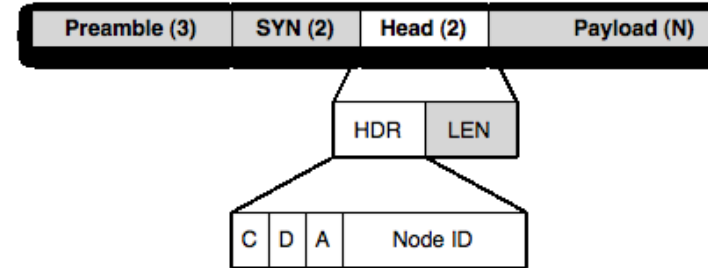
File → Examples → jeelib-master → DINJ → test1

Basic beacon application

- Select File→Examples→jeelib-master→DINJ→ test1
 - Compile, upload
 - Application sends packet with counter every second
- Try to change your node ID (1..31 possible)
 - `rf12_initialize(1, RF12_868MHZ, 100);`
 - 31 is special ID for promiscuous mode (receives everything)
- Try to change your group
 - `rf12_initialize(1, RF12_868MHZ, 100);`
 - You will hear only messages within your group

Basic beacon application – send packet

- `rf12_sendNow(T, &counter, 1);`
 - T = 0 is broadcast
 - T = 1..31 concrete target node ID
 - `sendNow` takes pointer to data and its length (`&counter, 1B`)
 - Busy waiting until send can be done (free channel check)
- `rf12_sendWait(1);`
 - Waits until a packet send is done
- Maximum length of payload data `RF12_MAXDATA`
 - 66 bytes, but don't push it too close (unreliable)
 - Stay below 60



```
#include <Ports.h>
#include <RF12.h>
```

Sniffer.ino

```
byte saveHdr, saveLen, saveData[RF12_MAXDATA];
word saveCrc;
```

```
void setup () {
```

```
  Serial.begin(57600);
  Serial.println("\n[sniffer] 868 MHz group 100");
  rf12_initialize(31, RF12_868MHZ, 100);
```

```
}
```

```
void printPacket(byte saveHdr, byte saveLen, byte saveData[RF12_MAXDATA]){
```

```
// ... nice print of packet via Serial port, see full code at IS
```

```
}
```

```
void loop () {
```

```
  if (rf12_recvDone()) {
```

```
    // quickly save a copy of all volatile data
```

```
    saveLen = rf12_len;
```

```
    saveCrc = rf12_crc;
```

```
    saveHdr = rf12_hdr;
```

```
    if (saveLen <= sizeof(saveData)) { memcpy(saveData, (const void*) rf12_data, saveLen); }
```

```
    else { memset(saveData, 0xff, sizeof(saveData)); }
```

```
    rf12_recvDone(); // release lock on info for next reception
```

```
    if (saveCrc != 0) {
```

```
      Serial.print("CRC error #");
```

```
      Serial.println(saveLen, DEC);
```

```
    } else { printPacket(saveHdr, saveLen, saveData); }
```

```
}
```

```
}
```

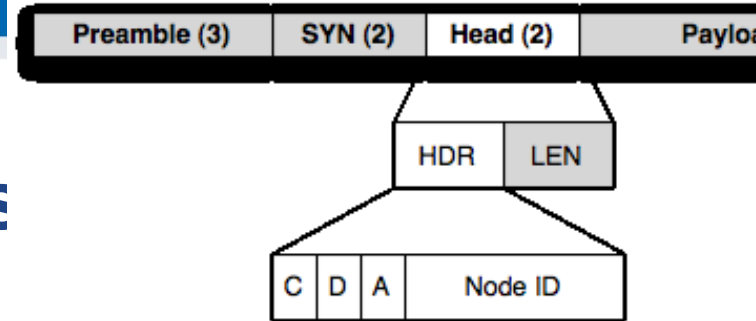
Sniffer application

- Download sniffer code from IS (sniffer.ino)
 - File→New, Paste sniffer code
 - Compile and upload
- App listens for RF12 packets and prints it via Serial port
 - `rf12_initialize(31, RF12_868MHZ, 100);`
 - `rf12_recvDone()` – true if packet received
 - `rf12_recvDone()`
 - `rf12_len, rf12_crc, rf12_hdr, rf12_data`
 - Global variables set by radio module
 - Local copy of global variables (`rf12_len` → `saveLen`) made to:
 - Prevent overwrite by another packet
 - Enable radio module to start receiving next packet

Basic transmission: one hop

- Pair together with one other colleague
 - Write app that will blink LED X-times based on value inside received packet
- First node is beacon sending counter
 - Send is unicast to particular second node (not broadcast)
 - Use different group (than 100)
- Second node – receiver blinking counter % 5
 - Use sniffer application as basic, change nodeID
 - `rf12_initialize(17, RF12_868MHZ, group);`
 - Don't forget to set LED output pin
- How far you can transmit? (try hall space)

Packet acknowledgements



- Send packets can frequently get lost (noise, collision) or missed by sender (performing other task)
 - How can be sender sure that the packet was delivered?
 - Sometimes does not care (broadcast or “UDP”-like transmission)
- If care, thank special message back from receiver can be expected/required (ACK)
 - Create packet for target node with bit flag that (A)CK = 1
 - Receiver reply with special ACK packet upon successful reception
 - Same header as received packet, but with (A)CK bit = 0 and (C)TL=1

```
byte createHeader(boolean requireACK, byte destID){
  byte header = requireACK ? RF12_HDR_ACK : 0;
  header |= RF12_HDR_DST | destID;
  return header;
}
```

```
if(RF12_WANTS_ACK){
  rf12_sendStart(RF12_ACK_REPLY,0,0);
}
```

Homework – Network sniffing

- Identify radio group which is being used
 - Automatic or manual trials
 - Possible range 1 – 200
- Create sniffer node that will capture as many packets as possible from single network run
 - Modify sniffer code from study materials
 - 10 minutes transmission, 5 minutes silence (then repeat)
 - Try to capture packets from multiple runs and compare
- Submit before: 26.4. 23:59 (full number of points)
 - Every additional started day (24h) means 1.5 points penalization

Homework – Network sniffing

Submit 3 files:

- Modified sniffer application
- Description of solution (1xA4)
 - How network properties were found
 - How was traffic logged
 - How were packets analyzed
- Plain .txt file with captured traffic (example next slide)
 - Will be evaluated automatically, the structure **MUST** match exactly
 - Capture as many unique messages as possible

Example .txt file you should submit

#440#time year

#458#random person

#464#secret break