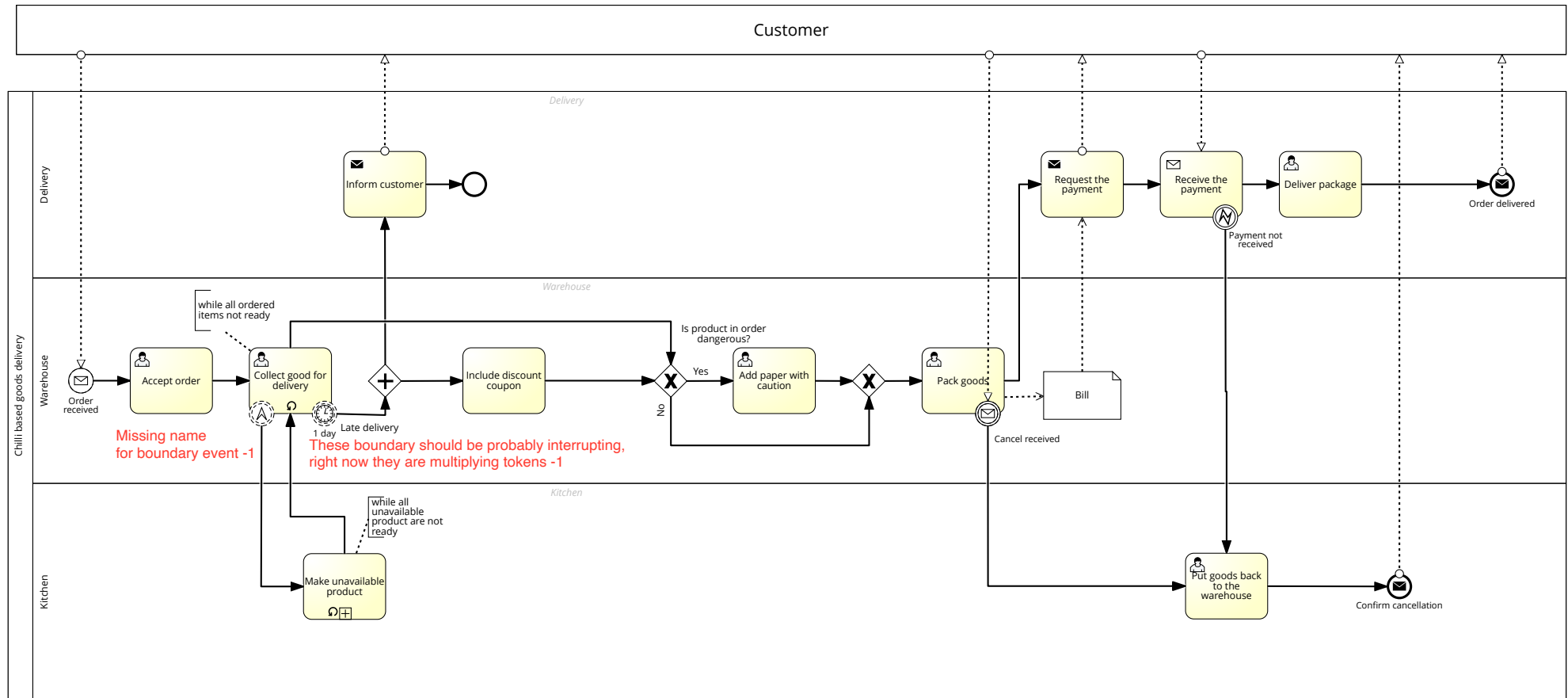


Chilli based goods delivery

487587, Jakub Kulich, sem. group PV207/02ENGLISH



Process represents delivering products ordered by the customer. Order is accepted first by personnel, then items from order are collected in the warehouse. Sometimes happens that a product is not available and then these products are made in the kitchen. In case that products are unavailable, then customer is informed and discount coupon is included into the order. Goods are packed and sent to the customer which pays upon the delivery by cash. If cash payment is not received from the customer, delivery is cancelled and goods from order are put back to the warehouse.

Result: 10