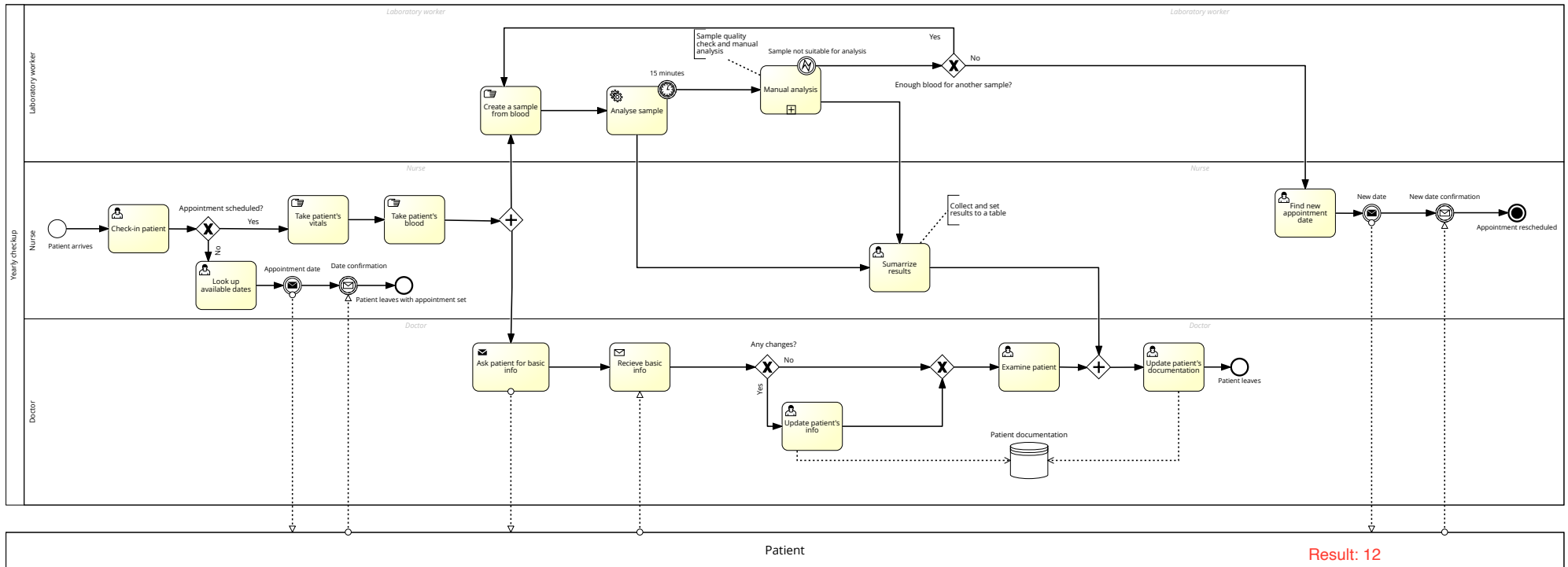


Yearly Checkup



Iva Nováková, 469119

BPM diagram based on previous yearly checkup L1 diagram. Added another pool for Laboratory worker that is responsible for bloodwork analysis. Also updated more tasks for Nurse - taking blood, summarizing results. If error occurs while analysing, patient is scheduled for another appt, immediately ending the current appointment.



Manual analysis



Bonus: Subprocess of manual analysis

