

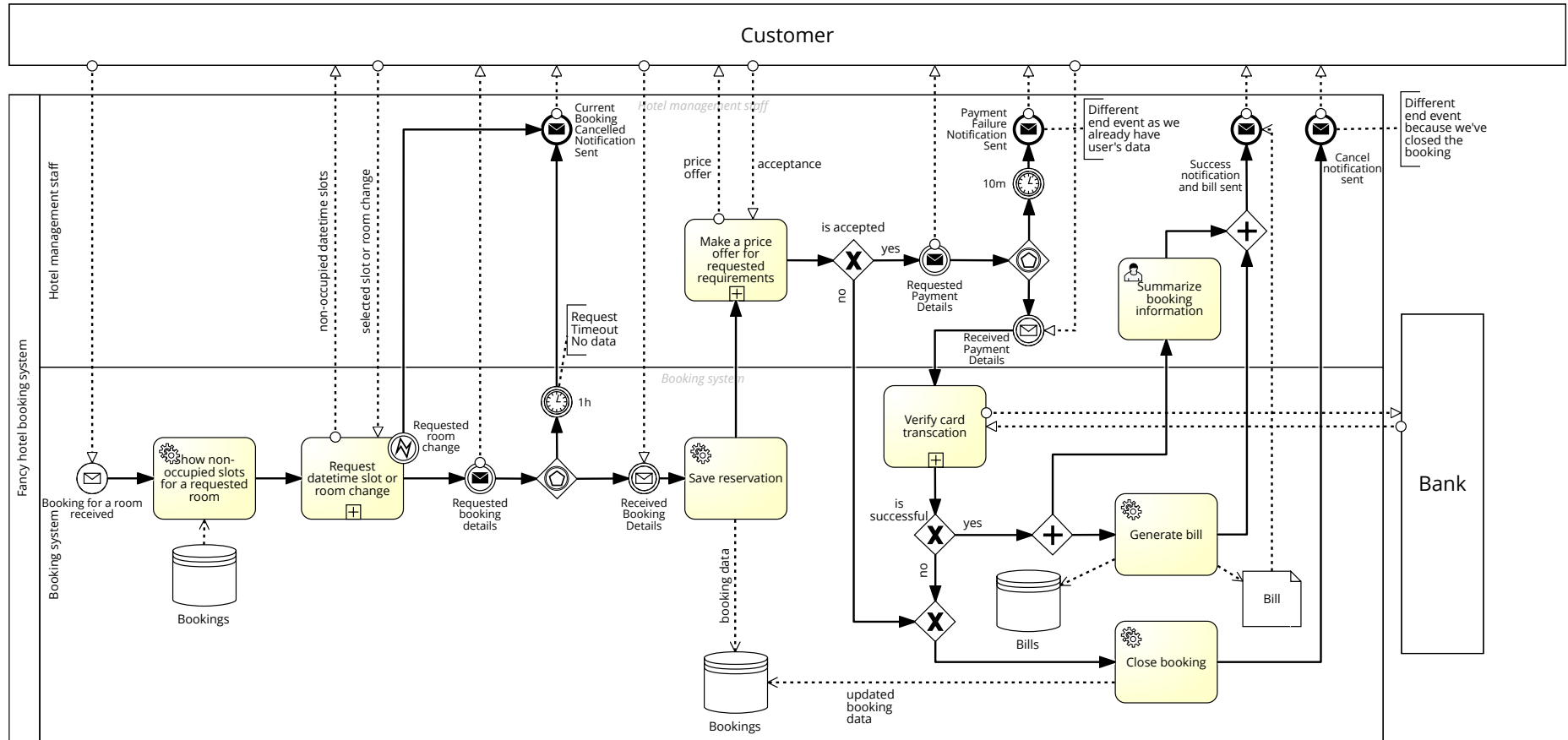
hw2 (copy)



Juraj Kulich | 493101

My project is a booking system for a hotel, in which customers can request specific requirements, e.g. the room will be in Harry Potter or LOTR theme, or anything. The hotel management then prepares a price offer for the requested requirements and requests a partial payment in case of accepted offer from the customer.

The process starts when the customer applies for a hotel room booking. Then he receives the available datetime slots for a requested room. Finally, he selects the datetime slot, writes requirements, and creates a reservation for a non-occupied time slot. Once the booking is created, the hotel management prepares a complete price offer and requests partial payment if agreed; otherwise, cancel the reservation (but keep it in the database). The booking is also closed if the customer's payment is unsuccessful. In case of a closed reservation, the system sends a follow-up notification. Otherwise, the system generates a bill. The management summarize the booking information and sends the booking confirmation to the customer.



Spread the diagram horizontally to give it more space. It will be more readable.

Result: 12