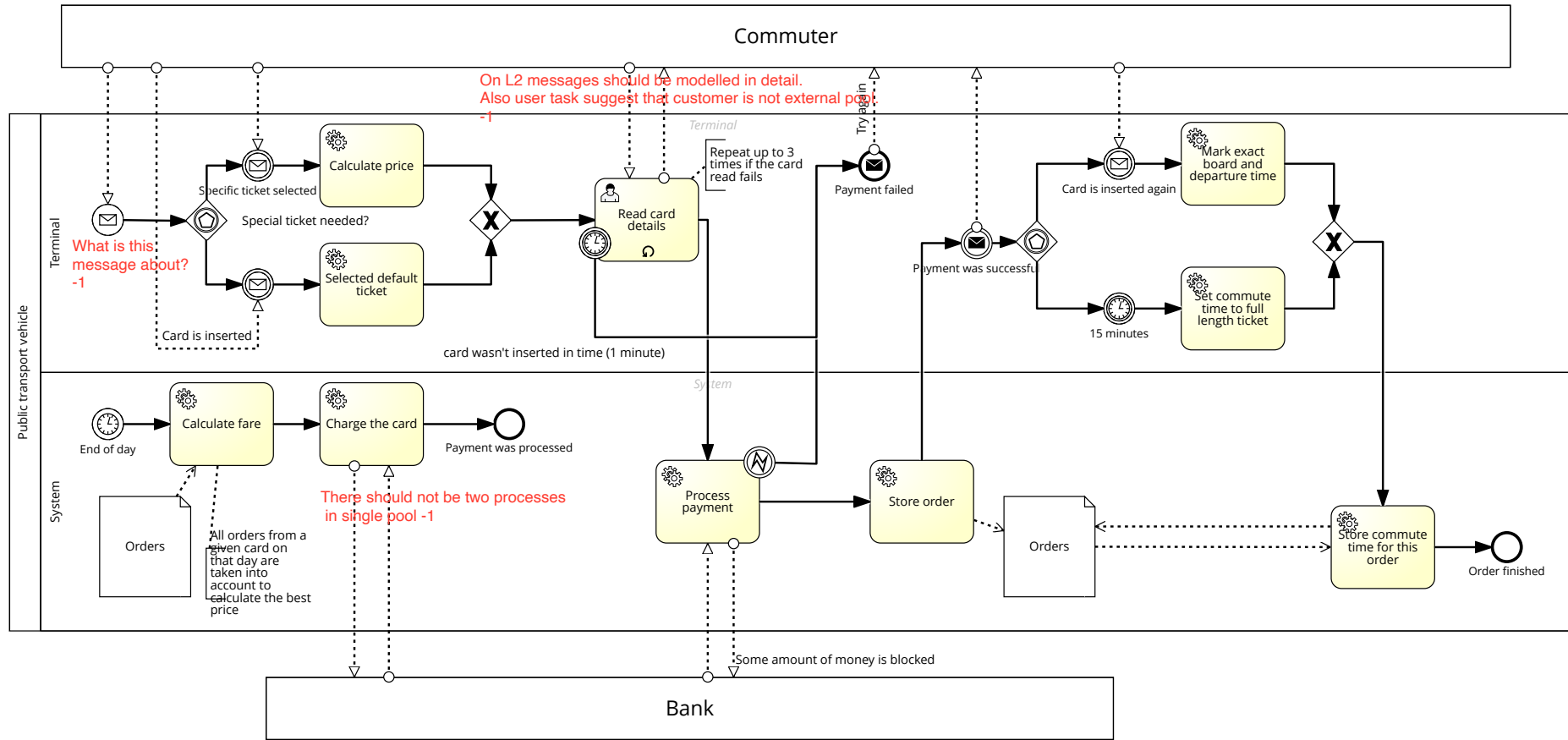


# HW1



Muzikar Martin  
(527391)

The process models contactless payments on public transport in Brno. The commuter can either choose a specific ticket or just pay with the card and the system uses a default ticket. The final fare price is calculated at the end of the day, some amount of money is blocked on the commuters card so no frauds are made

The commuter can also mark what time should the ticket be charged as by inserting the card when leaving the vehicle, this will be taken into account when calculating the final price at the end of the day.