

NAME: OLUWATOYOSI MERCY AYEDUN

UCO: 528058

PROJECT: ORDER PROCESSING SYSTEM

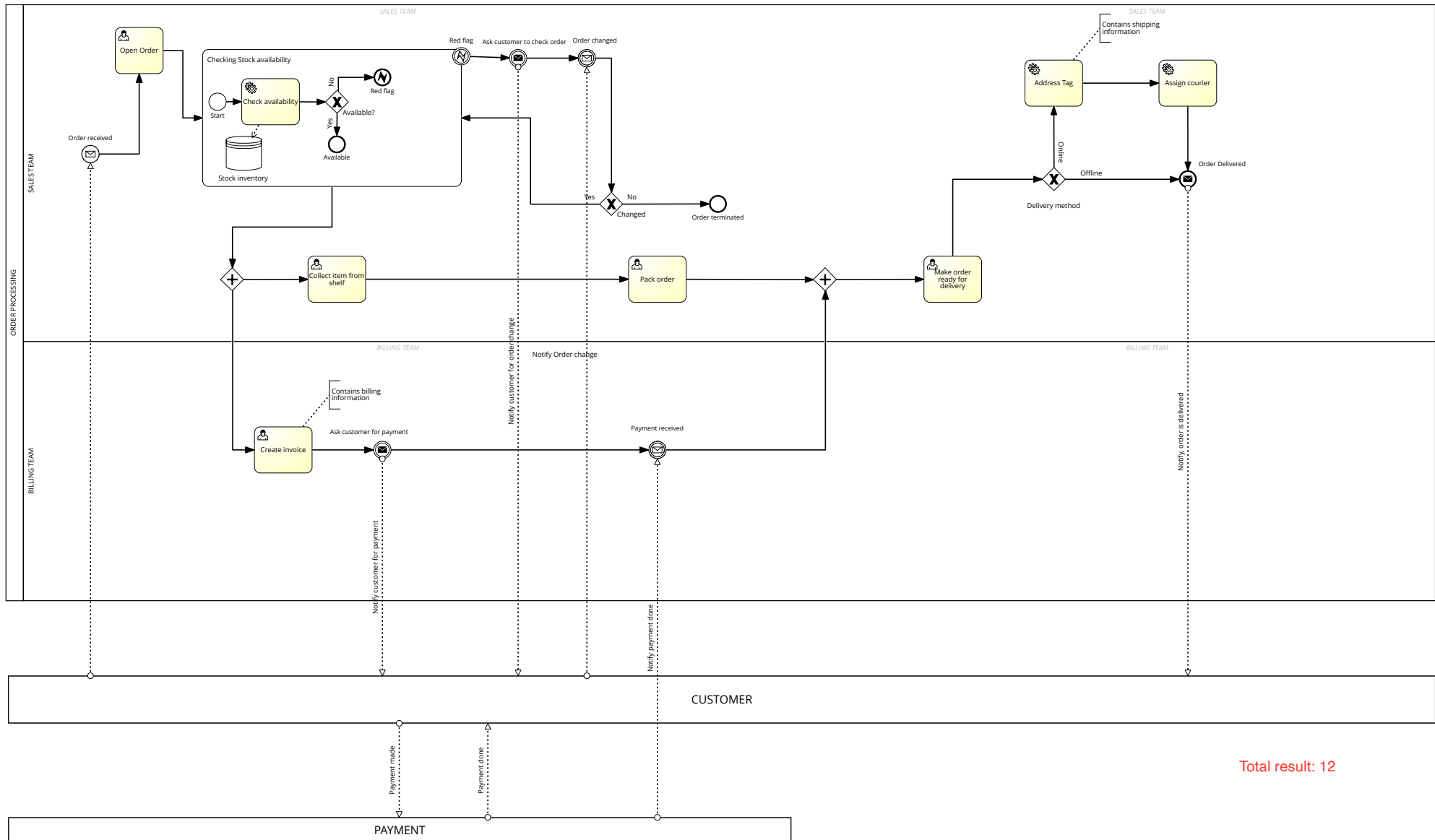
Updated Homework 2

SUMMARY:

The Sales Team receives an order from the Customer and checks the inventory. If the item is in stock, the Sales Team sends an order confirmation to the Customer. However, if the item is not in stock, the Sales Team sends a backorder notification to the Customer and offers an alternative or revised order if possible. The Customer then confirms the revised order, if applicable.

Once the order is confirmed, the Sales Team processes the order and generates an invoice. The Billing Team then sends the invoice to the Customer for payment. Once the Customer pays the invoice to the Billing Team, the Billing Team records the payment and proceed with the order

Updated Assignment



Total result: 12

Usually, we should not model communication between black box pools (their internals are hidden from our perspective and from the point of modelled process it is out of control)