

# Knowledge-intensive processes and qualitative research

Michal Krčál

Mikhail Monashev

# Agenda

- Introduction (5 minutes)
- Talk (25 minutes)
- Discussion and brainstorming (30 minutes)

# Michal

- Computer Science and Business Management background
- Research in
  - IS/ICT investment decision-making;
  - Business Process Management & Knowledge Management;
  - Circular Manufacturing Systems
- Consulting
  - Business process analysis
  - Business requirements analysis
  - Information strategy; digital transformation

# Mikhail

- Business Management background
- Research in
  - Knowledge-intensive processes

# Talk topic

Knowledge-intensive processes (KiPs) are characterized by **unpredictable** inputs and often **vaguely defined** goals. KiPs are claimed to be **non-eligible** for standardization, digitization, and automation. Therefore, only a limited amount of digital trace data is generated during their execution, and what is generated cannot usually be **analyzed in a traditional way**. Moreover, discovering the process structure is as meaningless as conformance checking. However, as organizations become more knowledge-dependent, they seek more efficient execution of KiPs, which calls for a thorough investigation of the challenges.

We will present how we have investigated KiPs using **qualitative data** and outline our future research perspectives.

# Our research in short

We study knowledge-intensive processes (KiPs) by:

- **Talking to people** about processes and deviations in process execution.
- **Asking people to fill in questionnaires** to see the link between team capabilities and process performance.
- **Specifying design principles** for software applications that could support the execution of KiPs and **testing their usability**.

# Paper 1

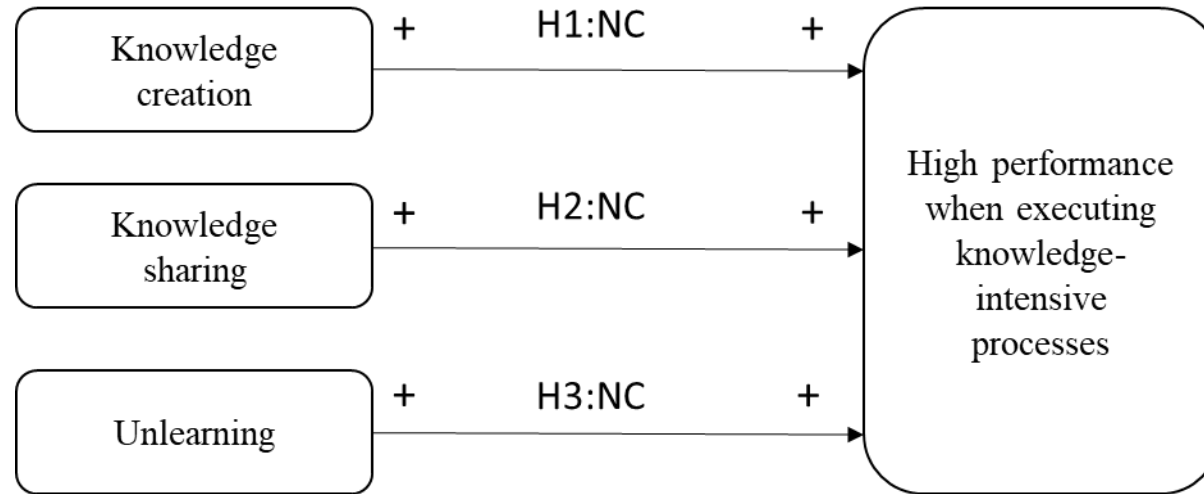
- RQ: What are the mechanisms underlying the emergence of executions in KiPs?
- Method: Theory-building case study leveraging grounded theory method coding procedures.
- Dataset: Interviews on multiple instances of different KiPs in two companies.

# Paper 2

- RQ: To what extent RPA can be used in nonroutine processes?
- Method: Design science research
- Dataset: Five expert interviews (validation)



# Paper 3



- Method: Necessary Condition Analysis and Qualitative Comparative Analysis
- Dataset: 34 respondents from a case company + 338 online panel respondents

# Project proposal

- With Martin, LMU, and Signavio
- Using Digital Trace Data to Theorize about Changes of Complexity in Digital Processes
- RQ: How and why does the complexity in KiPs change over time?
- Digital Trace Data ~ application SW logs

# Purpose

- Evolving complexity of KiPs based on digital transformation and RPA of organizational processes.
- Uncovering patterns and variations in process complexity that are not apparent from data.
- Methodological shortcomings of current approaches.
- Multifaceted understanding of how process complexity evolves.

# Methodology

- Mixed-methods approach  $\Leftarrow$  merging digital trace data analysis with qualitative techniques
  - Process mining of digital trace data activities, control flow, data flow, and resource allocation.
  - In-depth interviews and analysis of process documentation.
- Two inductive case studies with two IT service providers in Czechia focusing on multiple processes.

# Outcomes

- A theoretical model explaining the mechanisms behind changes in process complexity.
- Method for studying complexity changes.
- Empirical insights into the factors influencing the evolution of process complexity over time.

# Potentials for research collaboration

- What do you research?
- Do you have any experience with digital trace data?
  - Special Issue in BISE (submission deadline: July 1, 2024): » [Exploring the \(Mis\)Match Between Real-World Processes and Event Data - BISE \(bise-journal.com\)](https://www.bise-journal.com/issue/Exploring-the-MisMatch-Between-Real-World-Processes-and-Event-Data)
- What do you think of using qualitative research in informatics/computer science?

# BPM concerence 2024

[Call for CEE Forum – 22nd Business Process Management Conference 2024 in Krakow \(agh.edu.pl\)](#)

## Call for CEE Forum Forum chairs

Gregor Polančič  
Monika Malinova Mandelburger  
Katarina Tomičić-Pupek  
Michal Krčál

## Important dates

Abstract submission: **TUE 21 May 2024**  
Paper submission: **TUE 28 May 2024**  
Author notification: **THU 27 June 2024**  
Camera-ready submission: **FRI 5 July 2024**  
Conference: **3–5 September 2024**

## BPM 2024 in Krakow (1–6.09.2024)

The International Conference on Business Process Management can be seen as the most established meeting place for international BPM researchers, attracting several hundred enthusiasts each year.

