

Laboratory Exercise 10

An Enhanced Processor

In Laboratory Exercise 9 we described a simple processor. In Part I of that exercise the processor itself was designed, and in Part II the processor was connected to an external counter and a memory unit. This exercise describes subsequent parts of the processor design. Note that the numbering of figures and tables in this exercise are continued from those in Parts I and II in the preceding lab exercise.

Part III

In this part you will extend the capability of the processor so that the external counter is no longer needed, and so that the processor has the ability to perform read and write operations using memory or other devices. You will add three new types of instructions to the processor, as displayed in Table 3. The **ld** (load) instruction loads data into register R_X from the external memory address specified in register R_Y . The **st** (store) instruction stores the data contained in register R_X into the memory address found in R_Y . Finally, the instruction **mvnz** (move if not zero) allows a **mv** operation to be executed only under a certain condition; the condition is that the current contents of register G are not equal to 0.

Operation	Function performed
ld $R_x, [R_y]$	$R_x \leftarrow [[R_y]]$
st $R_x, [R_y]$	$[R_y] \leftarrow [R_x]$
mvnz R_x, R_y	if $G \neq 0, R_x \leftarrow [R_y]$

Table 3. New instructions performed in the processor.

A schematic of the enhanced processor is given in Figure 7. In this figure, registers R_0 to R_6 are the same as in Figure 1 of Laboratory Exercise 9, but register R_7 has been changed to a counter. This counter is used to provide the addresses in the memory from which the processor's instructions are read; in the preceding lab exercise, a counter external to the processor was used for this purpose. We will refer to R_7 as the processor's *program counter* (PC), because this terminology is common for real processors available in the industry. When the processor is reset, PC is set to address 0. At the start of each instruction (in time step 0) the contents of PC are used as an address to read an instruction from the memory. The instruction is stored in IR and the PC is automatically incremented to point to the next instruction (in the case of **movi** the PC provides the address of the immediate data and is then incremented again).

The processor's control unit increments PC by using the *incr_PC* signal, which is just an enable on this counter. It is also possible to directly load an address into PC (R_7) by having the processor execute a **mv** or **movi** instruction in which the destination register is specified as R_7 . In this case the control unit uses the signal $R7_{in}$ to perform a parallel load of the counter. In this way, the processor can execute instructions at any address in memory, as opposed to only being able to execute instructions that are stored in successive addresses. Similarly, the current contents of PC can be copied into another register by using a **mv** instruction. An example of code that uses the PC register to implement a loop is shown below, where the text after the % on each line is just a comment. The instruction **mv** R_5, R_7 places into R_5 the address in memory of the instruction **sub** R_4, R_2 . Then, the instruction **mvnz** R_7, R_5 causes the **sub** instruction to be executed repeatedly until R_4 becomes 0. This type of loop could be used in a larger program as a way of creating a delay.

```
movi R2,#1
movi R4,#10000000 % binary delay value
mv R5,R7 % save address of next instruction
sub R4,R2 % decrement delay count
mvnz R7,R5 % continue subtracting until delay count gets to 0
```

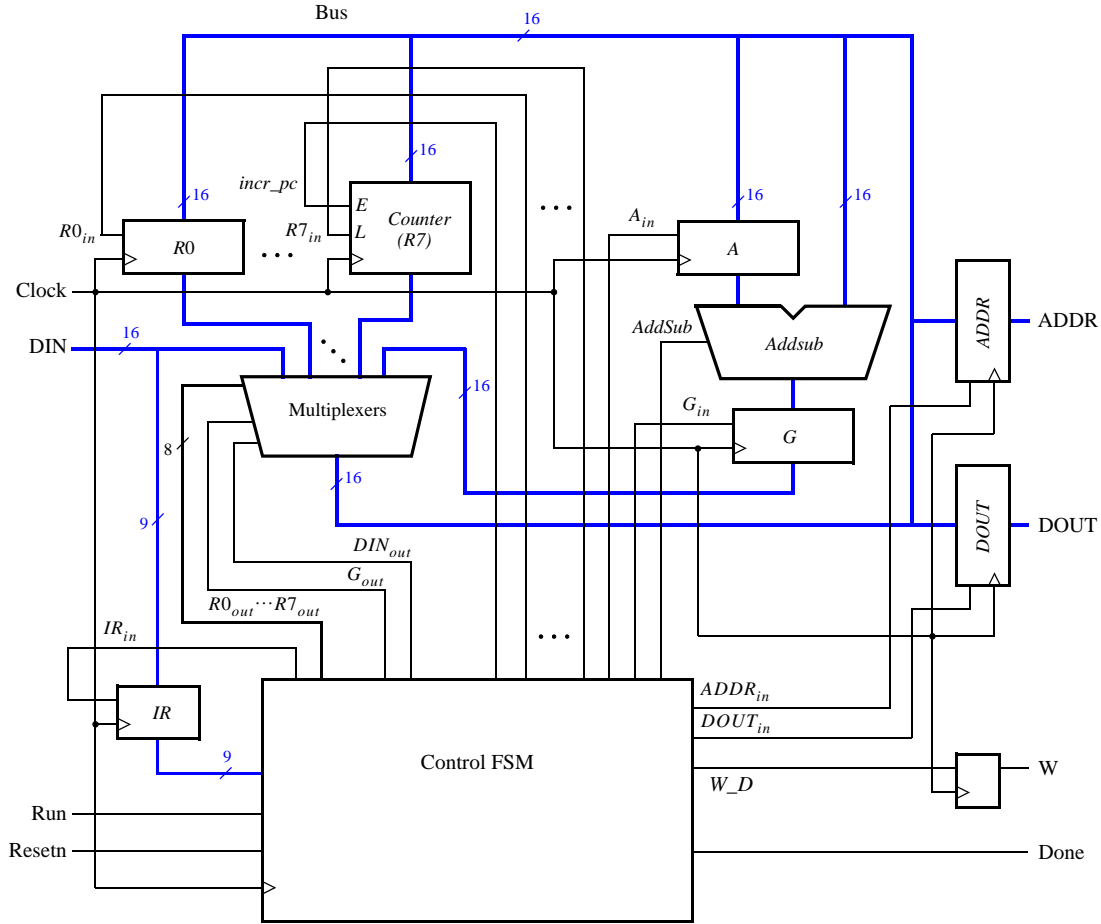


Figure 7. An enhanced version of the processor.

Figure 7 shows two registers in the processor that are used for data transfers. The *ADDR* register is used to send addresses to an external device, such as a memory module, and the *DOUT* register is used by the processor to provide data that can be stored outside the processor. One use of the *ADDR* register is for reading, or *fetching*, instructions from memory; when the processor wants to fetch an instruction, the contents of *PC* (*R7*) are transferred across the bus and loaded into *ADDR*. This address is provided to memory. In addition to fetching instructions, the processor can read data at any address by using the *ADDR* register. Both data and instructions are read into the processor on the *DIN* input port. The processor can write data for storage at an external address by placing this address into the *ADDR* register, placing the data to be stored into its *DOUT* register, and asserting the output of the *W* (write) flip-flop to 1.

Figure 8 illustrates how the enhanced processor is connected to memory and other devices. The memory unit in the figure supports both read and write operations and therefore has both address and data inputs, as well as a write enable input. The memory also has a clock input, because the address, data, and write enable inputs must be loaded into the memory on an active clock edge. This type of memory unit is usually called a *synchronous random access memory* (*synchronous RAM*). Figure 8 also includes a 16-bit register that can be used to store data from the processor; this register might be connected to a set of LEDs to allow display of data on the DE2-series board. To allow the processor to select either the memory unit or register when performing a write operation, the circuit includes some logic gates that perform *address decoding*: if the upper address lines are $A_{15}A_{14}A_{13}A_{12} = 0000$, then the memory module will be written at the address given on the lower address lines. Figure 8 shows n lower address lines connected to the memory; for this exercise a memory with 128 words is probably sufficient, which implies that $n = 7$ and the memory address port is driven by $A_6 \dots A_0$. For addresses in which $A_{15}A_{14}A_{13}A_{12} = 0001$,

the data written by the processor is loaded into the register whose outputs are called *LEDs* in Figure 8.

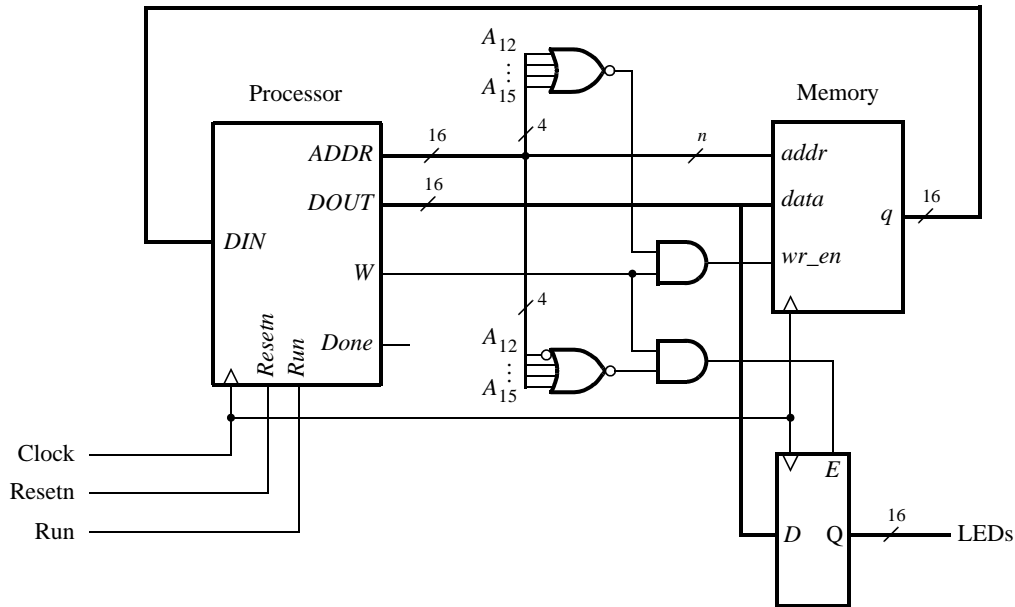


Figure 8. Connecting the enhanced processor to a memory and output register.

1. Create a new Quartus II project for the enhanced version of the processor.
2. Write Verilog code for the processor and test your circuit by using functional simulation: apply instructions to the *DIN* port and observe the internal processor signals as the instructions are executed. Pay careful attention to the timing of signals between your processor and external memory; account for the fact that the memory has registered input ports, as we discussed for Figure 8.
3. Create another Quartus II project that instantiates the processor, memory module, and register shown in Figure 8. Use the Quartus II MegaWizard Plug-In Manager tool to create the RAM: 1-PORT memory module. Follow the instructions provided by the wizard to create a memory that has one 16-bit wide read/write data port and is 128 words deep. Use a MIF file to store instructions in the memory that are to be executed by your processor.
4. Use functional simulation to test the circuit. Ensure that data is read properly from the RAM and executed by the processor.
5. Include in your project the necessary pin assignments to implement your circuit on the DE2-series board. Use switch SW_{17} to drive the processor's *Run* input, use KEY_0 for *Resetn*, and use the board's 50 MHz clock signal as the *Clock* input. Since the circuit needs to run properly at 50 MHz, make sure that a timing constraint is set in Quartus II to constrain the circuit's clock to this frequency. Read the Report produced by the Quartus II Timing Analyzer to ensure that your circuit operates at this speed; if not, use the Quartus II tools to analyze your circuit and modify your Verilog code to make a more efficient design that meets the 50-MHz speed requirement. Also note that the *Run* input is asynchronous to the clock signal, so make sure to synchronize this input using flip-flops.

Connect the *LEDs* register in Figure 8 to $LEDR_{15-0}$ so that you can observe the output produced by the processor.

6. Compile the circuit and download it into the FPGA chip.
7. Test the functionality of your design by executing code from the RAM and observing the LEDs.

Part IV

In this part you are to connect an additional I/O module to your circuit from Part III and write code that is executed by your processor.

Add a module called *seg7_scroll* to your circuit. This module should contain one register for each 7-segment display on the DE2-series board. Each register should directly drive the segment lights for one 7-segment display, so that the processor can write characters onto these displays. Create the necessary address decoding to allow the processor to write to the registers in the *seg7_scroll* module.

1. Create a Quartus II project for your circuit and write the Verilog code that includes the circuit from Figure 8 in addition to your *seg7_scroll* module.
2. Use functional simulation to test the circuit.
3. Add appropriate timing constraints and pin assignments to your project, and write a MIF file that allows the processor to write characters to the 7-segment displays. A simple program would write a word to the displays and then terminate, but a more interesting program could scroll a message across the displays, or scroll a word across the displays in the left, right, or both directions.
4. Test the functionality of your design by executing code from the RAM and observing the 7-segment displays.

Part V

Add to your circuit from Part IV another module, called *port_n*, that allows the processor to read the state of some switches on the board. The switch values should be stored into a register, and the processor should be able to read this register by using a **ld** instruction. You will have to use address decoding and multiplexers to allow the processor to read from either the RAM or *port_n* units, according to the address used.

1. Draw a circuit diagram that shows how the *port_n* unit is incorporated into the system.
2. Create a Quartus II project for your circuit, write the Verilog code, and write a MIF file that demonstrates use of the *port_n* module. One interesting application is to have the processor scroll a message across the 7-segment displays and use the values read from the *port_n* module to change the speed at which the message is scrolled.
3. Test your circuit both by using functional simulation and by downloading it and executing your processor code on the DE2-series board.

Suggested Bonus Parts

The following are suggested bonus parts for this exercise.

1. Use the Quartus II tools to identify the critical paths in the processor circuit. Modify the processor design so that the circuit will operate at the highest clock frequency that you can achieve.
2. Extend the instructions supported by your processor to make it more flexible. Some suggested instruction types are logic instructions (AND, OR, etc), shift instructions, and branch instructions. You may also wish to add support for logical conditions other than “not zero”, as supported by **mvnz**, and the like.
3. Write an Assembler program for your processor. It should automatically produces a MIF file from assembly language code.

Copyright ©2011 Altera Corporation.