

# Module 8: SLAAC and DHCPv6

## Instructor Materials

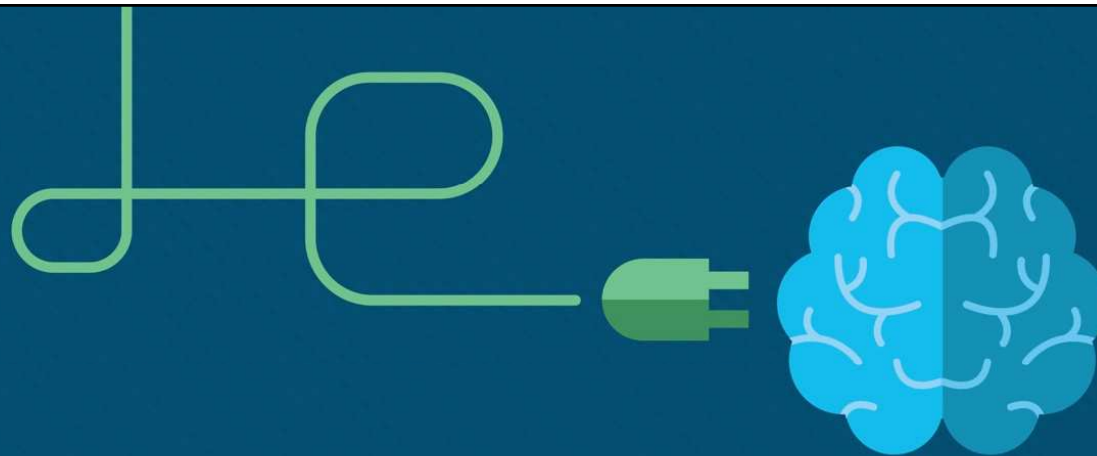
Switching, Routing and Wireless  
Essentials v7.0 (SRWE)



# Module 8: Activities

What activities are associated with this module?

Page #	Activity Type	Activity Name	Optional?
8.1.5	Check Your Understanding	IPv6 GUA Assignment	Recommended
8.2.7	Check Your Understanding	SLAAC	Recommended
8.3.6	Check Your Understanding	DHCPv6	Recommended
8.4.9	Check Your Understanding	Configure DHCPv6 Server	Recommended
8.5.1	Lab	Configure DHCPv6	Recommended



# Module 8: SLAAC and DHCPv6

Switching, Routing and Wireless  
Essentials v7.0 (SRWE)



# Module Objectives

**Module Title:** SLAAC and DHCPv6

**Module Objective:** Configure dynamic address allocation in IPv6 networks.

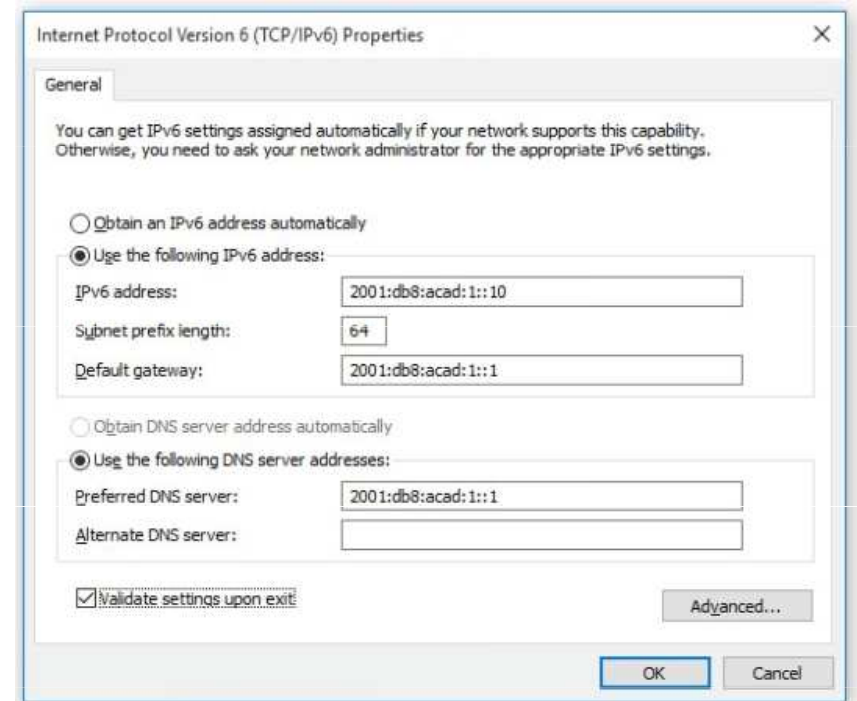
Topic Title	Topic Objective
IPv6 Global Unicast Address Assignment	Explain how an IPv6 host can acquire its IPv6 configuration.
SLAAC	Explain the operation of SLAAC.
DHCPv6	Explain the operation of DHCPv6
Configure DHCPv6 Server	Configure a stateful and stateless DHCPv6 server.

# 8.1 IPv6 GUA Assignment

# IPv6 Host Configuration

On a router, an IPv6 **global unicast address** (GUA) is manually configured using the **ipv6 address** *ipv6-address/prefix-length* interface configuration command.

- A Windows host can also be manually configured with an IPv6 GUA address configuration, as shown in the figure.
- However, manually entering an IPv6 GUA can be **time consuming and somewhat error prone** (náchylný).
- Therefore, most Windows host are enabled to dynamically acquire an IPv6 GUA configuration.



# IPv6 Host Link-Local Address

If automatic IPv6 addressing is selected, the host will use an Internet Control Message Protocol version 6 (ICMPv6) Router Advertisement (RA) message to help it autoconfigure an IPv6 configuration.

- The IPv6 link-local address is automatically created by the host when it boots and the Ethernet interface is active.
- The interface did not create an IPv6 GUA in the output because the network segment did not have a router to provide network configuration instructions for the host.
- **Note:** The "%" and number at the end of the link-local address is known as a **Zone ID** or **Scope ID** and is used by the OS to associate the LLA (Link Local Address) with a specific interface.
- **Note:** DHCPv6 is defined in RFC 3315.

```
C:\PC1> ipconfig
Windows IP Configuration
Ethernet adapter Ethernet0:

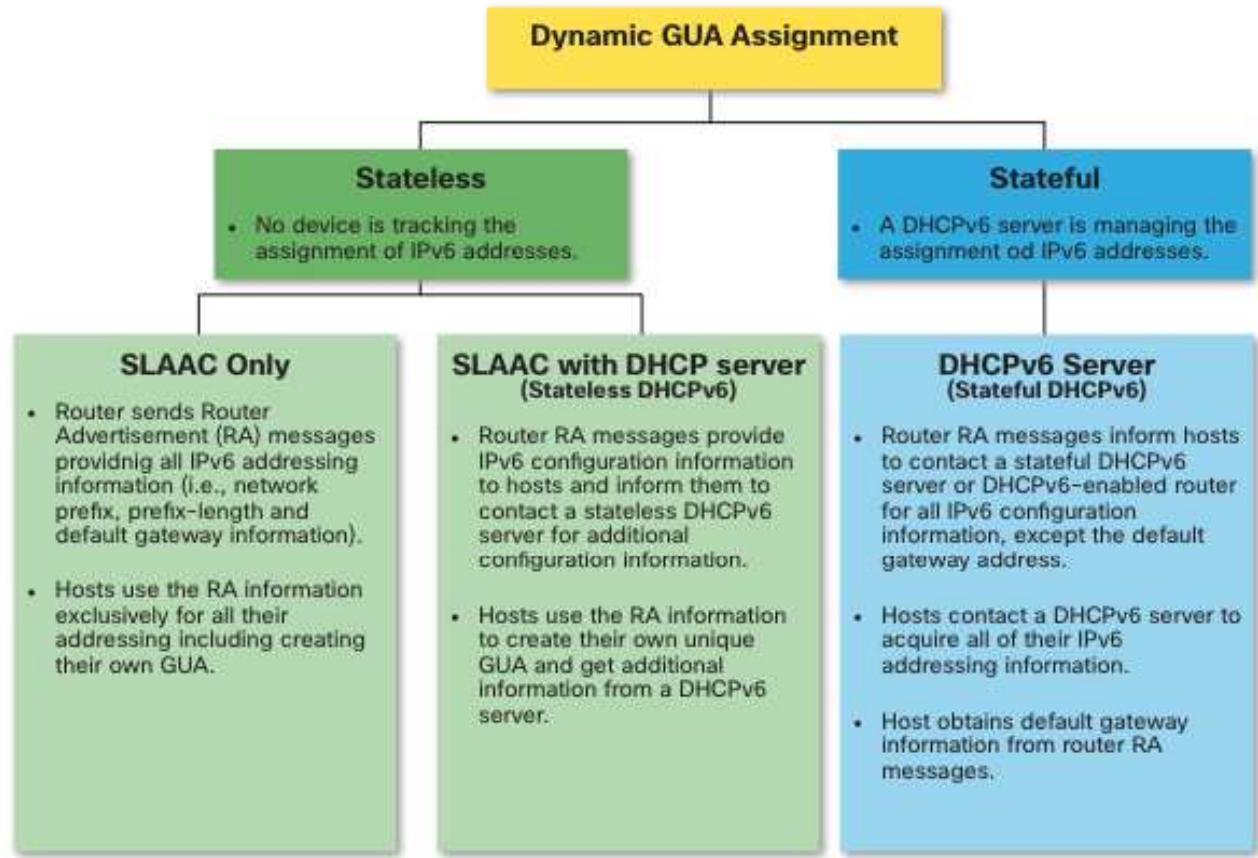
    Connection-specific DNS Suffix . . . :
    IPv6 Address. . . . . :
    Link-local IPv6 Address . . . . . : fe80::fb:1d54:839f:f595%21
    IPv4 Address. . . . . : 169.254.202.140
    Subnet Mask . . . . . : 255.255.0.0
    Default Gateway . . . . . :

C:\PC1>
```

# IPv6 GUA Assignment

By default, an IPv6-enabled router periodically send ICMPv6 RAs which simplifies how a host can dynamically create or acquire its IPv6 configuration.

- A host can dynamically be assigned a GUA using stateless and stateful services.
- All stateless and stateful methods in this module use ICMPv6 RA messages to suggest to the host how to create or acquire its IPv6 configuration.
- Although host operating systems follow the suggestion of the RA, the actual decision is ultimately up to the host



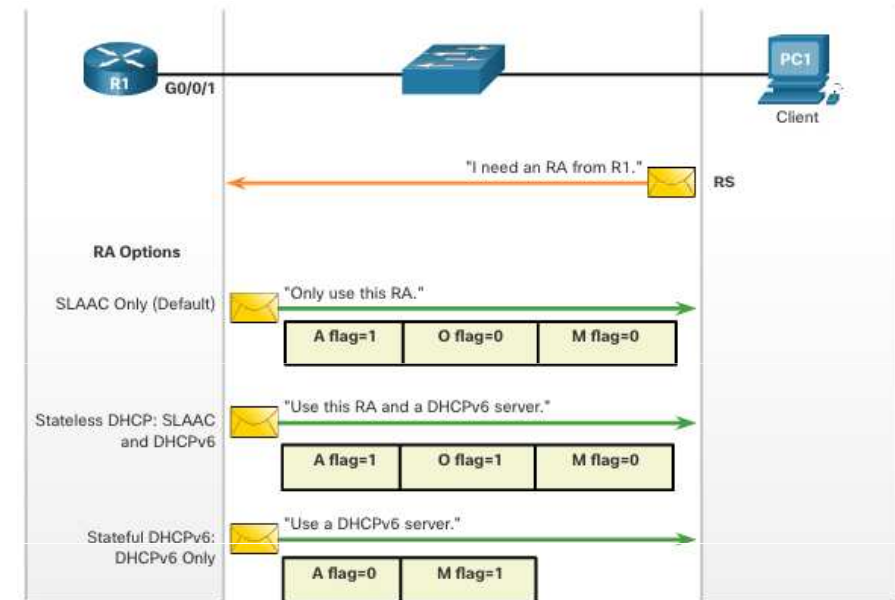


# Three RA Message Flags

How a client obtains an IPv6 GUA depends on settings in the RA message.

An ICMPv6 RA message includes the following three flags:

- **A flag** - The Address Autoconfiguration flag signifies to use **Stateless Address Autoconfiguration (SLAAC)** to create an IPv6 GUA
- **O flag** - The Other Configuration flag signifies that additional information is available from a stateless DHCPv6 server.
- **M flag** - The Managed Address Configuration flag signifies to use a stateful DHCPv6 server to obtain an IPv6 GUA.



Using different combinations of the A, O and M flags, RA messages inform the host about the dynamic options available.

# 8.2 SLAAC

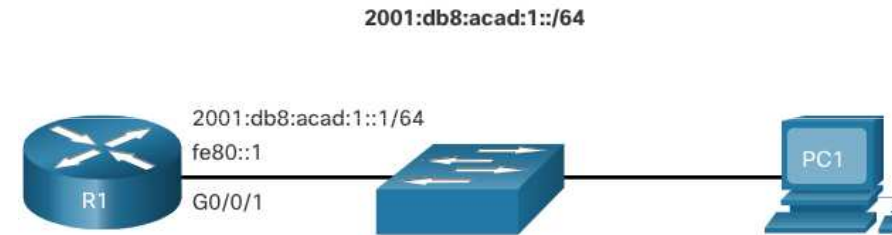
# SLAAC Overview

Not every network has access to a DHCPv6 server but every device in an IPv6 network needs a GUA. The SLAAC method enables hosts to create their own unique IPv6 global unicast address without the services of a DHCPv6 server.

- SLAAC is a **stateless service** which means there is no server that maintains network address information to know which IPv6 addresses are being used and which ones are available.
- SLAAC sends **periodic** ICMPv6 RA messages (i.e., every **200 seconds**) providing addressing and other configuration information for hosts to autoconfigure their IPv6 address based on the information in the RA.
- A host can also send a **Router Solicitation** (RS) message requesting an RA.
- SLAAC can be deployed as SLAAC only, or SLAAC with DHCPv6.

# Enabling SLAAC

R1 G0/0/1 has been configured with the indicated IPv6 GUA and link-local addresses.



The R1 G0/0/01 IPv6 addresses include:

- **Link-local IPv6 address** - fe80::1
- **GUA / subnet** - 2001:db8:acad:1::1, 2001:db8:acad:1::/64
- **IPv6 all-nodes group** - ff02::1

R1 is configured to join the all IPv6 multicast group and start sending RA messages containing address configuration information to hosts using SLAAC.

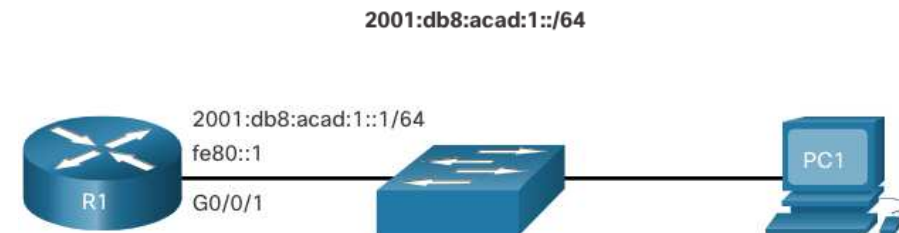
```
R1# show ipv6 interface G0/0/1
GigabitEthernet0/0/1 is up, line protocol is up
  IPv6 is enabled, link-local address is FE80::1
  No Virtual link-local address(es):
  Description: Link to LAN
  Global unicast address(es):
    2001:DB8:ACAD:1::1, subnet is 2001:DB8:ACAD:1::/64
  Joined group address(es):
    FF02::1
    FF02::1:FF00:1
  (output omitted)
R1#
```

```
R1(config)# ipv6 unicast-routing
R1(config)# exit
R1#
```

## Enabling SLAAC (Cont.)

The IPv6 all-routers group responds to the IPv6 multicast address ff02::2.

- The **show ipv6 interface** command verifies that R1 has joined the **IPv6 all-routers group** (i.e., ff02::2).
- R1 will now begin to send RA messages every **200 seconds** to the IPv6 all-nodes multicast address **ff02::1**.

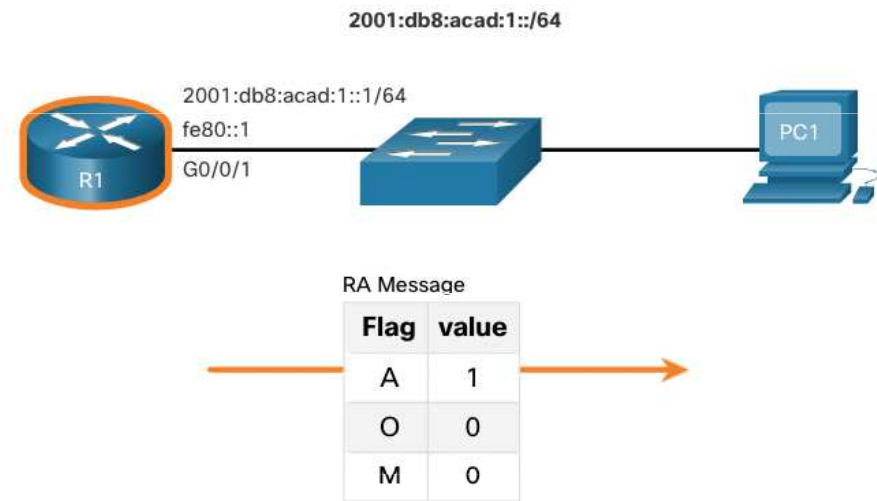


```
R1# show ipv6 interface G0/0/1 | section Joined
Joined group address(es):
  FF02::1
  FF02::2
  FF02::1:FF00:1
R1#
```

# SLAAC Only Method

RA messages from R1 have the following flags set:

- **A = 1** – Informs the client to use the IPv6 GUA prefix in the RA and dynamically create its own Interface ID.
- **O = 0** and **M = 0** – Informs the client to also use the additional information in the RA message (i.e., DNS server, MTU, and default gateway information).
- The **ipconfig** Windows command confirms that PC1 has generated an IPv6 GUS using the R1 RA.
- The default gateway address is LLA of the R1 G0/0/1 interface.



```

C:\PC1> ipconfig
Windows IP Configuration
Ethernet adapter Ethernet0:
    Connection-specific DNS Suffix . :
    IPv6 Address. . . . . : 2001:db8:acad:1:1de9:c69:73ee:ca8c
    Link-local IPv6 Address . . . . . : fe80::fb:1d54:839f:f595%21
    IPv4 Address. . . . . : 169.254.202.140
    Subnet Mask . . . . . : 255.255.0.0
    Default Gateway . . . . . : fe80::1%6
C:\PC1>
    
```



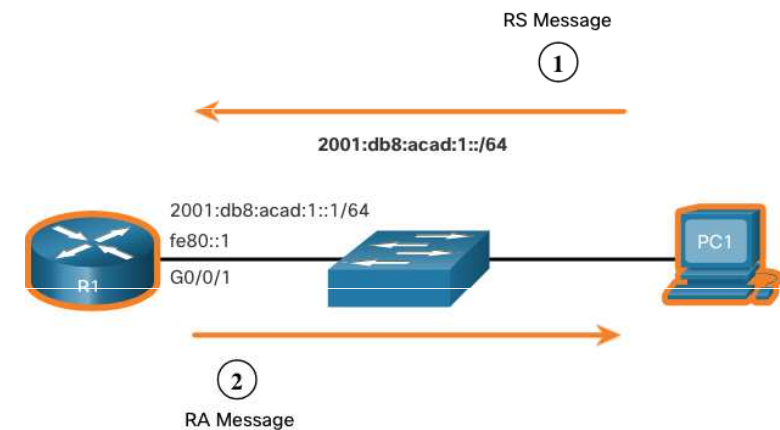
# ICMPv6 RS Messages

A router sends RA messages every 200 seconds or when it receives an RS message from a host.

- IPv6 enabled hosts wishing to obtain IPv6 addressing information send an **RS** message to the IPv6 **all-routers** multicast address of **ff02::2**.

The figure illustrates how a host initiates the SLAAC method.

1. **PC1** has just booted and sends an RS message to the IPv6 all-routers multicast address of **ff02::2** requesting an RA.
2. **R1** generates an RA and then sends the RA message to the IPv6 all-nodes multicast address of **ff02::1**. PC1 uses this information to create a unique IPv6 GUA.



# Host Process to Generate Interface ID

Using SLAAC, a host acquires its 64-bit IPv6 subnet information from the router RA and must generate the remainder 64-bit interface identifier (ID) using either:

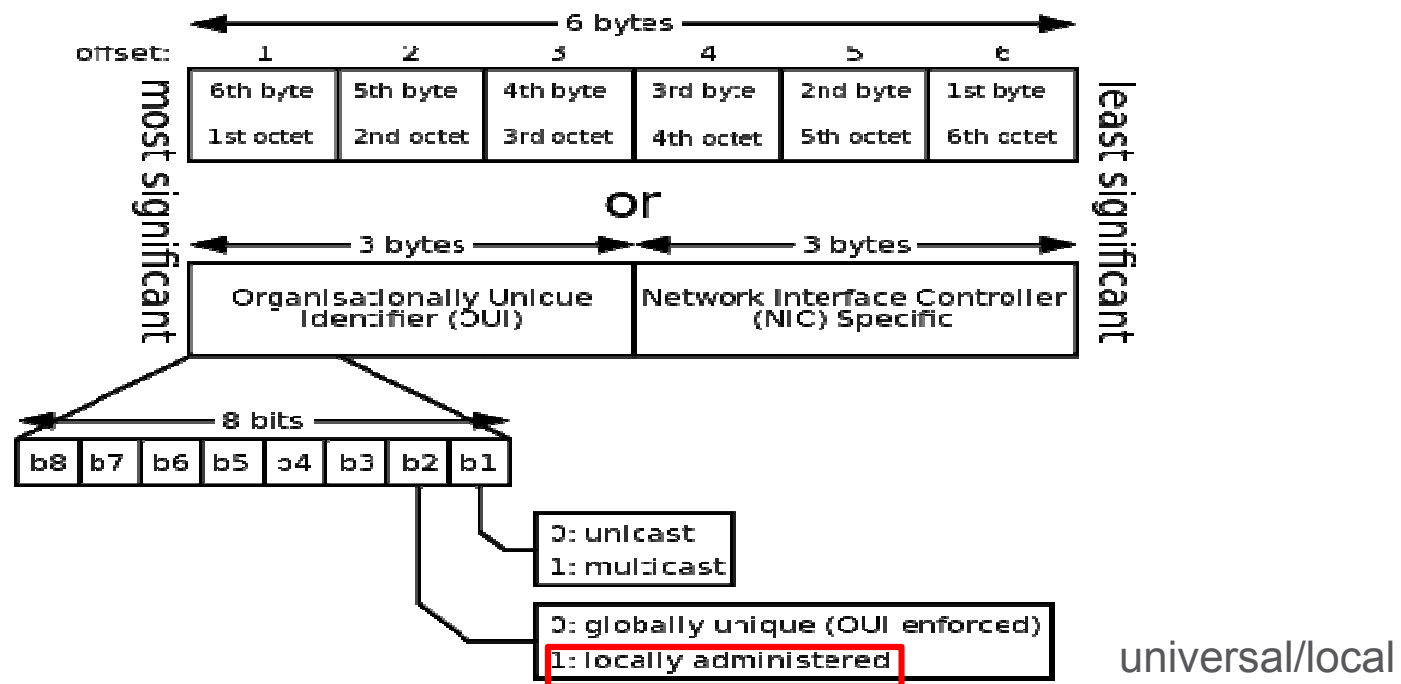
- **Randomly generated** - The 64-bit interface ID is randomly generated by the client operating system. This is the method now used by Windows 10 hosts.
- **EUI-64** - The host creates an interface ID using its 48-bit MAC address and inserts the hex value of **ffe** in the middle of the address. Some operating systems default to the randomly generated interface ID instead of the EUI-64 method, due to privacy concerns. This is because the Ethernet MAC address of the host is used by EUI-64 to create the interface ID.

**Note:** Windows, Linux, and Mac OS **allow** for the user to **modify** the generation of the interface ID to be either randomly generated or to use EUI-64.



# Jaká je struktura MAC adresy?

## 7. bit = 1... lokální administrace



# Duplicate Address Detection

A SLAAC host may use the following Duplicate Address Detection (DAD) process to **ensure that the IPv6 GUA is unique**.

- The host sends an ICMPv6 **Neighbor Solicitation** (NS) message with a specially constructed solicited-node multicast address containing the last 24 bits of IPv6 address of the host.
- If no other devices respond with a **Neighbor Advertisement** (NA) message, then the address is virtually guaranteed to be unique and can be used by the host.
- If an NA is received by the host, then the address is not unique, and the host must generate a new interface ID to use.

**Note:** DAD is **really not required** because a 64-bit interface ID provides 18 quintillion possibilities. Therefore, the chance of a duplicate address is remote. However, the Internet Engineering Task Force (IETF) recommends that DAD is used. Therefore, most operating systems perform DAD on all IPv6 unicast addresses, regardless of how the address is configured.

# 8.3 DHCPv6

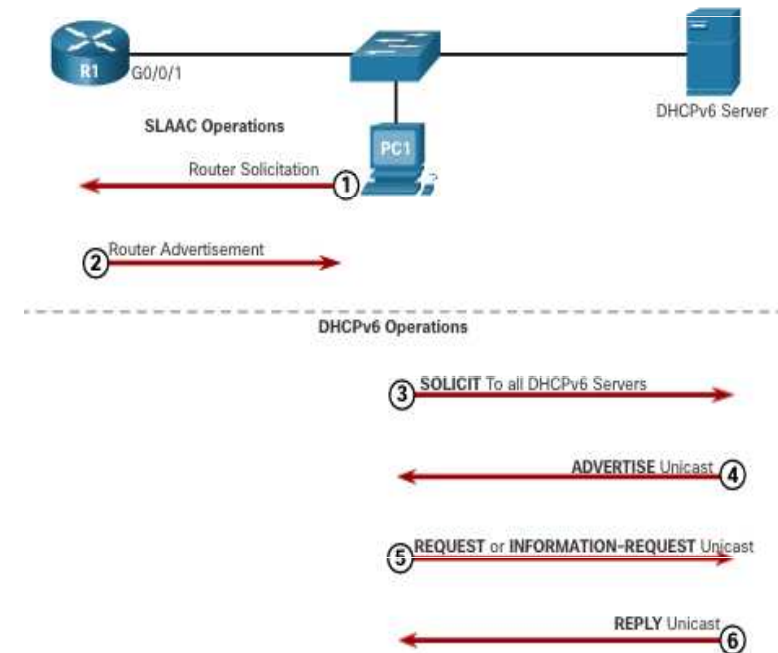
# DHCPv6 Operation Steps

Stateful DHCPv6 does not require SLAAC while stateless DHCPv6 does.

Regardless, when an RA indicates to use DHCPv6 or stateful DHCPv6:

1. The host sends an RS message.
2. The router responds with an RA message.
3. The host sends a DHCPv6 SOLICIT message.
4. The DHCPv6 server responds with an ADVERTISE message.
5. The host responds to the DHCPv6 server.
6. The DHCPv6 server sends a REPLY message.

**Note:** Server to client DHCPv6 messages use UDP destination port 546 while client to server DHCPv6 messages use UDP destination port 547.



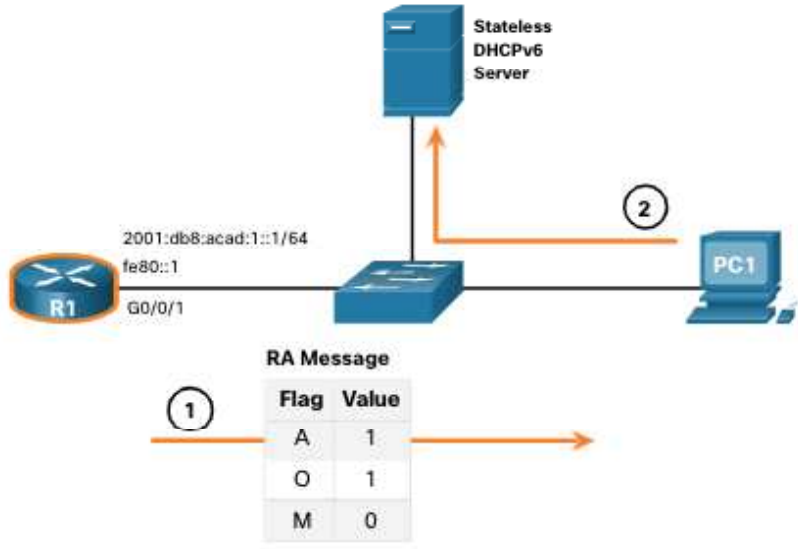
# Stateless DHCPv6 Operation

If an RA indicates the stateless DHCPv6 method, the host uses the information in the RA message for addressing and contacts a DHCPv6 server for additional information.

**Note:** The DHCPv6 server only provides configuration parameters for clients and does not maintain a list of IPv6 address bindings (i.e. stateless).

For example, PC1 receives a stateless RA message containing:

- The IPv6 GUA network prefix and prefix length.
  - A flag set to 1 informing the host to use SLAAC.
  - O flag set to 1 informing the host to seek that additional configuration information from a DHCPv6 server.
  - M flag set to the default value 0.
- 
- PC1 sends a DHCPv6 SOLICIT message seeking additional information from a stateless DHCPv6 server.



# Enable Stateless DHCPv6 on an Interface

Stateless DHCPv6 is enabled using the **ipv6 nd other-config-flag** interface configuration command setting the O flag to 1.

The highlighted output confirms the RA will tell receiving hosts to use stateless autoconfigure (A flag = 1) and contact a DHCPv6 server to obtain another configuration information (O flag = 1).

**Note:** You can use the **no ipv6 nd other-config-flag** to reset the interface to the default SLAAC only option (O flag = 0).

```
R1(config-if)# ipv6 nd other-config-flag
R1(config-if)# end
R1#
R1# show ipv6 interface g0/0/1 | begin ND
  ND DAD is enabled, number of DAD attempts: 1
  ND reachable time is 30000 milliseconds (using 30000)
  ND advertised reachable time is 0 (unspecified)
  ND advertised retransmit interval is 0 (unspecified)
  ND router advertisements are sent every 200 seconds
  ND router advertisements live for 1800 seconds
  ND advertised default router preference is Medium
  Hosts use stateless autoconfig for addresses.
  Hosts use DHCP to obtain other configuration.
R1#
```

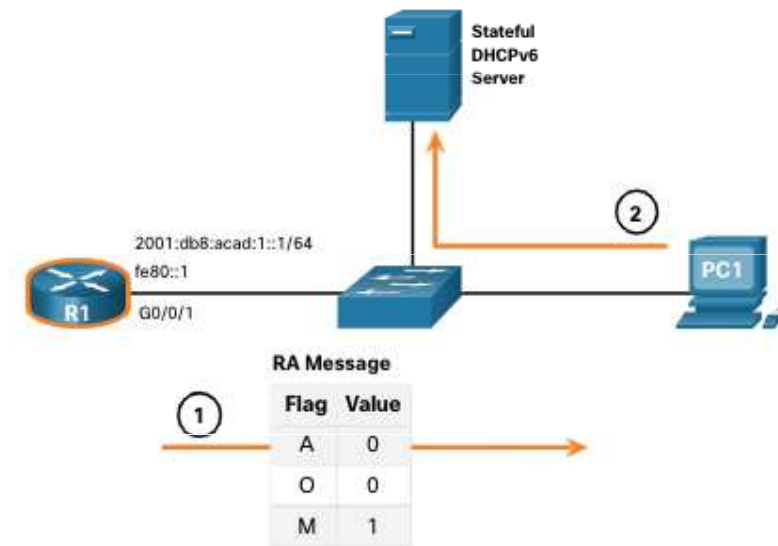
# Stateful DHCPv6 Operation

If an RA indicates the stateful DHCPv6 method, the host contacts a DHCPv6 server for all configuration information.

- **Note:** The DHCPv6 server is stateful and maintains a list of IPv6 address bindings.

For example, PC1 receives a stateful RA message containing:

- The IPv6 GUA network prefix and prefix length.
  - A flag set to 0 informing the host to contact a DHCPv6 server.
  - O flag set to 0 informing the host to contact a DHCPv6 server.
  - M flag set to the value 1.
- 
- PC1 sends a DHCPv6 SOLICIT message seeking additional information from a stateful DHCPv6 server.



# Enable Stateful DHCPv6 on an Interface

Stateful DHCPv6 is enabled using the **ipv6 nd managed-config-flag** interface configuration command setting the M flag to 1.

The highlighted output in the example confirms that the RA will tell the host to obtain all IPv6 configuration information from a DHCPv6 server (M flag = 1).

```
R1(config)# int g0/0/1
R1(config-if)# ipv6 nd managed-config-flag
R1(config-if)# end
R1#
R1# show ipv6 interface g0/0/1 | begin ND
ND DAD is enabled, number of DAD attempts: 1
ND reachable time is 30000 milliseconds (using 30000)
ND advertised reachable time is 0 (unspecified)
ND advertised retransmit interval is 0 (unspecified)
ND router advertisements are sent every 200 seconds
ND router advertisements live for 1800 seconds
ND advertised default router preference is Medium
Hosts use DHCP to obtain routable addresses.
R1#
```



# 8.4 Configure DHCPv6 Server

# DHCPv6 Router Roles

Cisco IOS routers are powerful devices. In smaller networks, you do not have to have separate devices to have a DHCPv6 server, client, or relay agent. A Cisco IOS router can be configured to provide DHCPv6 server services.

Specifically, it can be configured to be one of the following:

- **DHCPv6 Server** - Router provides stateless or stateful DHCPv6 services.
- **DHCPv6 Client** - Router interface acquires an IPv6 IP configuration from a DHCPv6 server.
- **DHCPv6 Relay Agent** - Router provides DHCPv6 forwarding services when the client and the server are located on different networks.

# Configure a Stateless DHCPv6 Server

The stateless DHCPv6 server option requires that the router advertise the IPv6 network addressing information in RA messages.

There are five steps to configure and verify a router as a stateless DHCPv6 server:

1. Enable IPv6 routing using the **ipv6 unicast-routing** command.
2. Define a DHCPv6 pool name using the **ipv6 dhcp pool POOL-NAME** global config command.
3. Configure the DHCPv6 pool with options. Common options include **dns-server X:X:X:X:X:X:X:X** and **domain-name name**.
4. Bind the interface to the pool using the **ipv6 dhcp server POOL-NAME** interface config command.
  - Manually change the O flag from 0 to 1 using the **ipv6 nd other-config-flag** interface command. RA messages sent on this interface indicate that additional information is available from a stateless DHCPv6 server. The A flag is 1 by default, telling clients to use SLAAC to create their own GUA.
5. Verify that the hosts have received IPv6 addressing information using the **ipconfig /all** command.

# Configure a Stateless DHCPv6 Client

A router can also be a DHCPv6 client and get an IPv6 configuration from a DHCPv6 server, such as a router functioning as a DHCPv6 server.

1. Enable IPv6 routing using the **ipv6 unicast-routing** command.
2. Configure the client router to create an LLA. An IPv6 link-local address is created on a router interface when a global unicast address is configured, or without a GUA using the **ipv6 enable** interface configuration command. Cisco IOS uses EUI-64 to create the Interface ID.
3. Configure the client router to use SLAAC using the **ipv6 address autoconfig** command.
4. Verify that the client router is assigned a GUA using the **show ipv6 interface brief** command.
5. Verify that the client router received other necessary DHCPv6 information. The **show ipv6 dhcp interface g0/0/1** command confirms DHCP option information, such as DNS server and domain name, have been received by the client.

# Configure a **Stateful** DHCPv6 Server

The stateful DHCP server option requires that the IPv6 enabled router tells the host to contact a DHCPv6 server to obtain all necessary IPv6 network addressing information.

There are five steps to configure and verify a router as a stateful DHCPv6 server:

1. Enable IPv6 routing using the **ipv6 unicast-routing** command.
2. Define a DHCPv6 pool name using the **ipv6 dhcp pool POOL-NAME** global config command.
3. Configure the **DHCPv6 pool** with options. Common options include the **address prefix** command, domain name, DNS server IP address, and more.
4. Bind the interface to the pool using the **ipv6 dhcp server POOL-NAME** interface config command.
  - Manually change the M flag from 0 to 1 using the interface command **ipv6 nd managed-config-flag**.
  - Manually change the A flag from 1 to 0 using the **ipv6 nd prefix default no-autoconfig** interface command to inform the client to not to use SLAAC to create a GUA. The router will now respond to stateful DHCPv6 requests with the information contained in the pool.
5. Verify that the hosts have received IPv6 addressing information using the **ipconfig /all** command.

# Configure a **Stateful DHCPv6 Client**

A router can also be a DHCPv6 client. The client router needs to have **ipv6 unicast-routing** enabled and an IPv6 link-local address to send and receive IPv6 messages.

There are five steps to configure and verify a router as a stateless DHCPv6 client.

1. Enable IPv6 routing using the **ipv6 unicast-routing** command.
2. Configure the client router to create an LLA. An IPv6 link-local address is created on a router interface when a global unicast address is configured, or without a GUA using the **ipv6 enable** interface configuration command. Cisco IOS uses EUI-64 to create an Interface ID.
3. Configure the client router to use DHCPv6 using the **ipv6 address dhcp** interface config command.
4. Verify that the client router is assigned a GUA using the **show ipv6 interface brief** command.
5. Verify that the client router received other necessary DHCPv6 information using the **show ipv6 dhcp interface g0/0/1** command.

# DHCPv6 Server Verification Commands

The **show ipv6 dhcp pool** command verifies the name of the DHCPv6 pool and its parameters. The command also identifies the number of active clients.

```
R1# show ipv6 dhcp pool
DHCPv6 pool: IPV6-STATEFUL
  Address allocation prefix: 2001:DB8:ACAD:1::/64 valid 172800 preferred 86400 (2 in use, 0
conflicts)
  DNS server: 2001:4860:4860::8888
  Domain name: example.com
  Active clients: 2
R1#
```

## Configure DHCPv6 Server DHCPv6 Server Verification Commands (Cont.)

Use the **show ipv6 dhcp binding** command output to **display the IPv6 link-local address of the client** and the **global unicast address** assigned by the server.

- This information is maintained by a stateful DHCPv6 server.
- A stateless DHCPv6 server would not maintain this information.

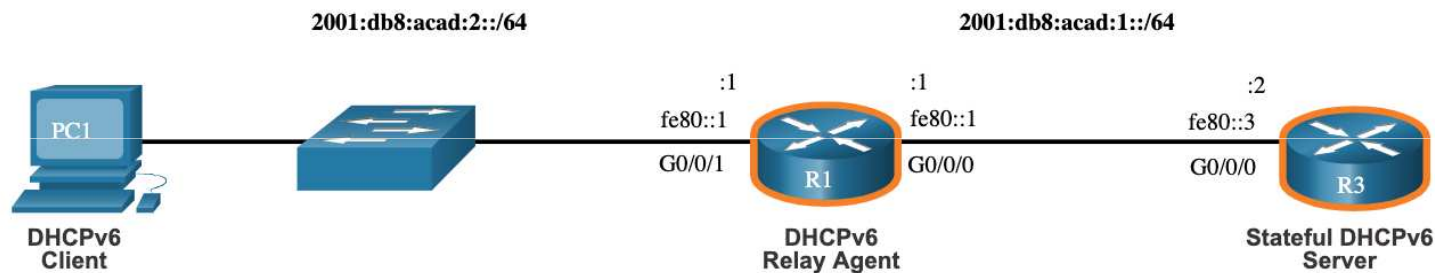
```
R1# show ipv6 dhcp binding
Client: FE80::192F:6FBC:9DB:B749
      DUID: 0001000125148183005056B327D6
      Username : unassigned
      VRF : default
      IA NA: IA ID 0x03000C29, T1 43200, T2 69120
            Address: 2001:DB8:ACAD:1:A43C:FD28:9D79:9E42
                    preferred lifetime 86400, valid lifetime 172800
                    expires at Sep 27 2019 09:10 AM (171192 seconds)
Client: FE80::2FC:BAFF:FE94:29B1
      DUID: 0003000100FCBA9429B0
      Username : unassigned
      VRF : default
      IA NA: IA ID 0x00060001, T1 43200, T2 69120
            Address: 2001:DB8:ACAD:1:B4CB:25FA:3C9:747C
                    preferred lifetime 86400, valid lifetime 172800
                    expires at Sep 27 2019 09:29 AM (172339 seconds)
R1#
```



# Configure a DHCPv6 Relay Agent

If the DHCPv6 server is located on a different network than the client, then the IPv6 router can be configured as a DHCPv6 relay agent.

- The configuration of a DHCPv6 relay agent is similar to the configuration of an IPv4 router as a DHCPv4 relay.
- This command is configured on the interface facing the DHCPv6 clients and specifies the DHCPv6 server address and egress interface to reach the server, as shown in the output. The egress interface is only required when the next-hop address is an LLA.



```
R1(config)# interface gigabitethernet 0/0/1
R1(config-if)# ipv6 dhcp relay destination 2001:db8:acad:1::2 G0/0/0
R1(config-if)# exit
R1(config)#
```

# Verify the DHCPv6 Relay Agent

Verify that the DHCPv6 relay agent is operational with the **show ipv6 dhcp interface** and **show ipv6 dhcp binding** commands.

```
R1# show ipv6 dhcp interface
GigabitEthernet0/0/1 is in relay mode
Relay destinations:
  2001:DB8:ACAD:1::2
  2001:DB8:ACAD:1::2 via GigabitEthernet0/0/0
R1#
```

```
R3# show ipv6 dhcp binding
Client: FE80::5C43:EE7C:2959:DA68
DUID: 0001000124F5CEA2005056B3636D
Username : unassigned
VRF : default
IA NA: IA ID 0x03000C29, T1 43200, T2 69120
Address: 2001:DB8:ACAD:2:9C3C:64DE:AADA:7857
preferred lifetime 86400, valid lifetime 172800
expires at Sep 29 2019 08:26 PM (172710 seconds)
R3#
```

Verify Windows hosts received IPv6 addressing information with the **ipconfig /all** command.

# 8.5 Module Practice and Quiz

## Lab – Configure DHCPv6

In this lab, you will complete the following objectives:

- Part 1: Build the Network and Configure Basic Device Settings
- Part 2: Verify SLAAC address assignment from R1
- Part 3: Configure and verify a Stateless DHCPv6 Server on R1
- Part 4: Configure and verify a Stateful DHCPv6 Server on R1
- Part 5: Configure and verify a DHCPv6 Relay on R2

# What Did I Learn In This Module?

- On a router, an IPv6 global unicast addresses (GUA) is manually configured using the **ipv6 address** *ipv6-address/prefix-length* interface configuration command.
- When automatic IPv6 addressing is selected, the host will attempt to automatically obtain and configure IPv6 address information on the interface.
- The IPv6 link-local address is automatically created by the host when it boots and the Ethernet interface is active.
- The decision of how a client will obtain an IPv6 GUA depends on the settings within the RA message. An ICMPv6 RA message includes three flags to identify the dynamic options available to a host:
  - A flag – This is the Address Autoconfiguration flag. Use SLAAC to create an IPv6 GUA.
  - O flag – This is the Other Configuration flag. Get Other information from a stateless DHCPv6 server.
  - M flag – This is the Managed Address Configuration flag. Use a stateful DHCPv6 server to obtain an IPv6 GUA.
- The SLAAC method enables hosts to create their own unique IPv6 global unicast address without the services of a DHCPv6 server. SLAAC, which is stateless, uses ICMPv6 RA messages to provide addressing and other configuration information that would normally be provided by a DHCP server. SLAAC can be deployed as SLAAC only, or SLAAC with DHCPv6. The SLAAC only method is enabled by default when the **ipv6 unicast-routing** command is configured.
- To enable the sending of RA messages, a router must join the IPv6 all-routers group using the **ipv6 unicast-routing** global config command. Use the **show ipv6 interface** command to verify if a router is enabled.
- All enabled Ethernet interfaces with an IPv6 GUA configured will start sending RA messages with the A flag set to 1, and the O and M flags set to 0. The A = 1 flag suggests to the client to create its own IPv6 GUA using the prefix advertised in the RA. The O =0 and M=0 flags instructs the client to use the information in the RA message exclusively.
- A router sends RA messages every 200 seconds. However, it will also send an RA message if it receives an RS message from a host.

# What Did I Learn In This Module?

- Using SLAAC, a host typically acquires its 64-bit IPv6 subnet information from the router RA. However, it must generate the remainder 64-bit interface identifier (ID) using one of two methods: randomly generated, or EUI-64.
- The DAD process is used by a host to ensure that the IPv6 GUA is unique. DAD is implemented using ICMPv6. To perform DAD, the host sends an ICMPv6 NS message with a specially constructed multicast address, called a solicited-node multicast address. This address duplicates the last 24 bits of IPv6 address of the host.
- The host begins the DHCPv6 client/server communications after stateless DHCPv6 or stateful DHCPv6 is indicated in the RA.
- Server to client DHCPv6 messages use UDP destination port 546, while client to server DHCPv6 messages use UDP destination port 547.
- The stateless DHCPv6 option informs the client to use the information in the RA message for addressing, but additional configuration parameters are available from a DHCPv6 server. This is called stateless DHCPv6 because the server is not maintaining any client state information.
- Stateless DHCPv6 is enabled on a router interface using the **ipv6 nd other-config-flag** interface configuration command. This sets the O flag to 1.
- In stateful DHCPv6, the RA message tells the client to obtain all addressing information from a stateful DHCPv6 server, except the default gateway address which is the source IPv6 link-local address of the RA. It is called stateful because the DHCPv6 server maintains IPv6 state information.
- Stateful DHCPv6 is enabled on a router interface using the **ipv6 nd managed-config-flag** interface configuration command. This sets the M flag to 1.

## What Did I Learn In This Module?

- A Cisco IOS router can be configured to provide DHCPv6 server services as one of the following three types: DHCPv6 server, DHCPv6 client, or DHCPv6 relay agent.
- A router can also be a DHCPv6 client and get an IPv6 configuration from a DHCPv6 server.
- The stateful DHCP server option requires that the IPv6-enabled router tells the host to contact a DHCPv6 server to acquire all required IPv6 network addressing information.
- For a client router to be a DHCPv6 router, it needs to have `ipv6 unicast-routing` enabled and an IPv6 link-local address to send and receive IPv6 messages.
- Use the **show ipv6 dhcp pool** and **show ipv6 dhcp binding** commands to verify DHCPv6 operation on a router.
- If the DHCPv6 server is located on a different network than the client, then the IPv6 router can be configured as a DHCPv6 relay agent using the **ipv6 dhcp relay destination *ipv6-address* [*interface-type interface-number*]** command. This command is configured on the interface facing the DHCPv6 clients and specifies the DHCPv6 server address and egress interface to reach the server. The egress interface is only required when the next-hop address is an LLA.
- Verify the DHCPv6 relay agent is operational with the **show ipv6 dhcp interface** and **show ipv6 dhcp binding** commands.

# Module 8: Best Practices (Cont.)

## Topic 8.2

- What benefit does the random generation of interface ID by the host provide?
- What process would you equate the DAD process to?

## Topic 8.3

- What advantage do you think Stateful DHCPv6 has over Stateless DHCPv6?
- What is the primary difference between DHCPv4 and DHCPv6 from an operations perspective?

## Topic 8.4

- How prevalent do you think the configuration of a DHCPv6 relay agent is within an enterprise network?
- In the configuration of a DHCPv6 server, are there any required pool options?



- Téma 8.2
- Jakou výhodu poskytuje náhodné generování ID interface hostitelem?
- Jakému procesu byste přirovnali proces DAD?
- Téma 8.3
- Jakou výhodu má podle vás stavový DHCPv6 oproti bezstavovému DHCPv6?
- Jaký je hlavní rozdíl mezi DHCPv4 a DHCPv6 z hlediska provozu?
- Téma 8.4
- Jak převládající je podle vás konfigurace reklam agenta DHCPv6 v podnikové síti?
- Existují v konfiguraci serveru DHCPv6 nějaké požadované možnosti poolu?

## New Terms and Commands

- Stateless Address Autoconfiguration (SLAAC)
- Global Unicast Address (GUA)
- Link Local Address (LLA)
- Zone ID
- Scope ID
- Address Autoconfiguration Flag
- Other Configuration Flag
- Managed Address Configuration Flag
- Router Solicitation (RS)
- Router Advertisement (RA)
- **ipv6 unicast-routing**
- EUI-64
- Duplicate Address Detection (DAD)
- Neighbor Solicitation (NS)
- Neighbor Advertisement (NA)
- DHCPv6 SOLICIT
- DHCPv6 ADVERTISE
- DHCPv6 REPLY

- Stateless DHCPv6 Client
- Stateful DHCPv6 Client
- **ipv6 nd other-config-flag**
- **ipv6 nd managed-config-flag**
- DHCPv6 Relay Agent
- **ipv6 dhcp pool pool-name**
- **ipv6 dhcp server pool-name**
- **ipv6 enable**
- **ipv6 address autoconfig**
- **show ipv6 dhcp interface**
- **address prefix X:X:X:X:X:X:X/YY**
- **dns-server X:X:X:X:X:X:X:X**
- **domain-name name**
- **ipv6 nd prefix default no-autoconfig**
- **ipv6 address dhcp**
- **show ipv6 dhcp pool**
- **show ipv6 dhcp binding**
- **ipv6 dhcp relay destination *ipv6-address* [*interface-type interface-number*]**

