

### Case Processing Summary

	Cases					
	Valid		Missing		Total	
	N	Percent	N	Percent	N	Percent
lu	1600	83,6%	315	16,4%	1915	100,0%
/	1600	83,6%	315	16,4%	1915	100,0%

### Descriptives

			Statistic	Std. Error
	Mean		74,6088	,50111
	95% Confidence Interval for Mean	Lower Bound	73,6258	
		Upper Bound	75,5917	
	5% Trimmed Mean		74,6500	
	Median		75,0000	
	Variance		401,786	
	Std. Deviation		20,04459	
	Minimum		13,00	
	Maximum		158,00	
	Range		145,00	
	Interquartile Range		27,00	
	Skewness		-,018	,061
	Kurtosis		,067	,122
lu	Mean		49,8813	,37271
/	95% Confidence Interval for Mean	Lower Bound	49,1502	
		Upper Bound	50,6123	
	5% Trimmed Mean		50,1444	
	Median		51,0000	
	Variance		222,261	
	Std. Deviation		14,90842	
	Minimum		9,00	
	Maximum		85,00	
	Range		76,00	
	Interquartile Range		22,00	
	Skewness		-,282	,061
	Kurtosis		-,560	,122

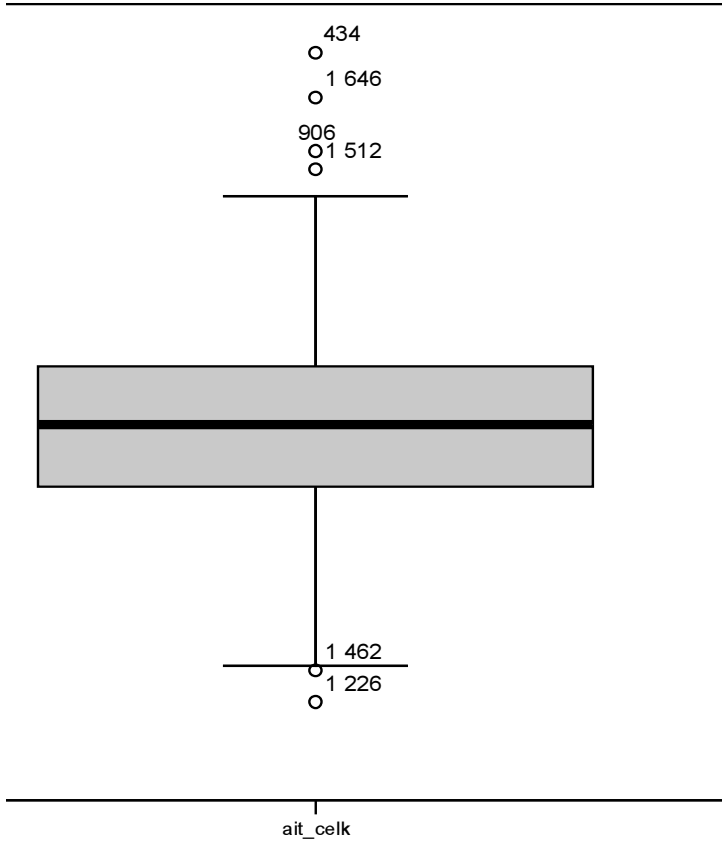
Stem-and-Leaf Plot

Stem & Leaf

```
:remes      (= < 20)
 2 . &
 2 . 5679&
 3 . 01234
 3 . 55677899
 4 . 0112233444
 4 . 555666778999
 5 . 0001111122222333444444
 5 . 555666667777778888889999
 6 . 000000111111222222333333444444
 6 . 5555556666666677777778888888999999
 7 . 000000001111111222223333333344444444444
 7 . 55555555666666667777777888888899999999
 8 . 000000111122222223333333444444
 8 . 5555555566666666777777788888899999
 9 . 00000011111111222223333333444444
 9 . 555566666777888889999
10 . 00000011122223444
10 . 567899
11 . 01234
11 . 56889&
12 . 1&
12 . 5&
:remes      (>= 132)
```

10,00  
4 case(s)

rational leaves.



## čet bodu na didakticke testy

: bodu na didakticke testy Stem-and-Leaf Plot

Stem & Leaf

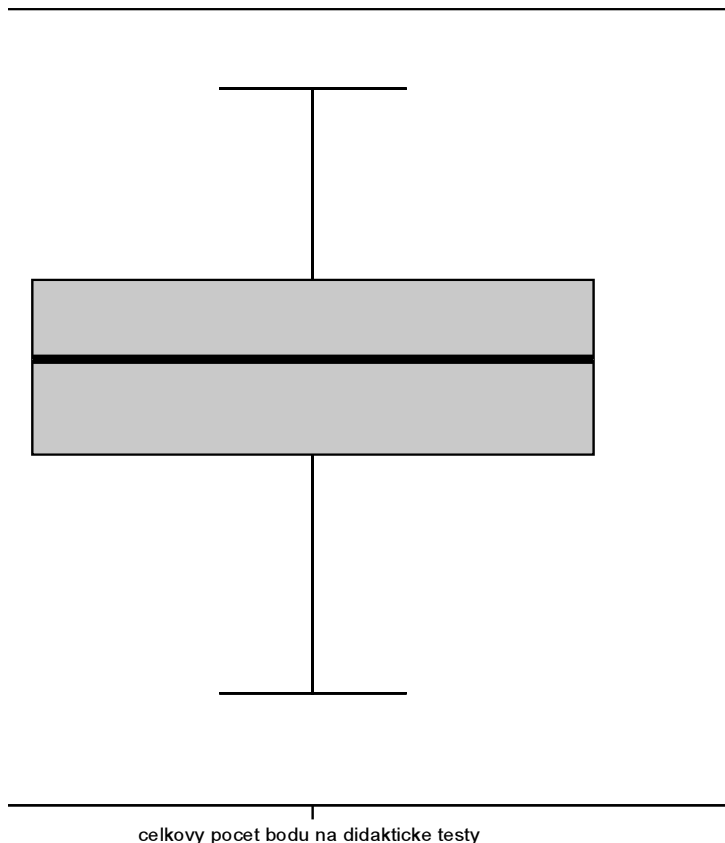
```

0 . &
1 . 04&
1 . 5678899
2 . 011222333444
2 . 555666677788999
3 . 000111122222333344
3 . 55556666666777777788888889999999
4 . 000011111222223333333344444444
4 . 55555566666667777788888889999999
5 . 00000000011111112222223333333344444444
5 . 5555566666666667777788888888999999999
6 . 000000001111111222222233333333444444
6 . 5555555666666677778888889999999
7 . 00001112233344
7 . 55666789
8 . 0&
8 . &

10,00
5 case(s)

```

fractional leaves.



### Case Processing Summary

skupina	Cases					
	Valid		Missing		Total	
	N	Percent	N	Percent	N	Percent
experimentalni	1166	83,2%	235	16,8%	1401	100,0%
kontrolni	434	84,4%	80	15,6%	514	100,0%
e experimentalni	1166	83,2%	235	16,8%	1401	100,0%
kontrolni	434	84,4%	80	15,6%	514	100,0%

### Descriptives

skupina	Statistic	Std. Error
---------	-----------	------------

experimentalni	Mean		74,3611	,58011
	95% Confidence Interval for Mean	Lower Bound	73,2229	
		Upper Bound	75,4992	
	5% Trimmed Mean		74,3297	
	Median		74,0000	
	Variance		392,396	
	Std. Deviation		19,80898	
	Minimum		20,00	
	Maximum		148,00	
	Range		128,00	
	Interquartile Range		26,00	
	Skewness		,026	,072
	Kurtosis		,027	,143
	kontrolni	Mean		75,2742
95% Confidence Interval for Mean		Lower Bound	73,3238	
		Upper Bound	77,2246	
5% Trimmed Mean			75,5123	
Median			76,0000	
Variance			427,368	
Std. Deviation			20,67288	
Minimum			13,00	
Maximum			158,00	
Range			145,00	
Interquartile Range			29,00	
Skewness			-,130	,117
Kurtosis			,179	,234
lu / experimentalni		Mean		49,4314
	95% Confidence Interval for Mean	Lower Bound	48,5726	
		Upper Bound	50,2901	
	5% Trimmed Mean		49,6736	
	Median		50,0000	
	Variance		223,379	
	Std. Deviation		14,94585	
	Minimum		10,00	
	Maximum		85,00	
	Range		75,00	
	Interquartile Range		23,00	
	Skewness		-,269	,072
	Kurtosis		-,560	,143
	kontrolni	Mean		51,0899
95% Confidence Interval for Mean		Lower Bound	49,6976	
		Upper Bound	52,4821	
5% Trimmed Mean			51,4014	

Median	53,0000	
Variance	217,759	
Std. Deviation	14,75665	
Minimum	9,00	
Maximum	83,00	
Range	74,00	
Interquartile Range	23,00	
Skewness	-,317	,117
Kurtosis	-,552	,234

## Leaf Plots

Stem-and-Leaf Plot for  
Experimentalni

```

Stem & Leaf

:remes      (= < 22)
 2 . &
 2 . 56789
 3 . 012334
 3 . 55677899
 4 . 01223344
 4 . 5566667778999
 5 . 00001111222233444444
 5 . 55566666677777788888899999
 6 . 0000011111222222333333444444
 6 . 5555556666666667777778888889999999
 7 . 00000001111111122222233333334444444444
 7 . 5555555556666666666777777888888999999999
 8 . 00000001111222222233333334444444
 8 . 5555555566666666777777788888999999
 9 . 000001111112222233333444444
 9 . 5555666667778888999
10 . 000000112222344
10 . 5678999
11 . 01224&
11 . 5678889
12 . 1134&
12 . 5
:remes      (>= 126)

10,00
 3 case(s)

```

Fractional leaves.

Stem-and-Leaf Plot for  
kontrolni

Stem & Leaf

```

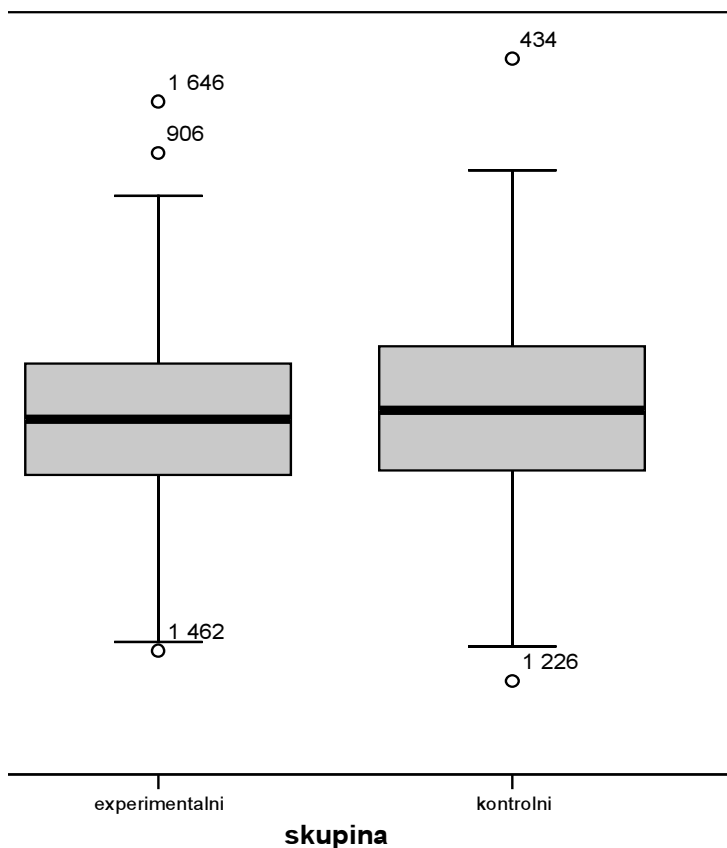
:remes      (<=13)
 2 .  9&&
 3 . 25&&&
 4 . 1123444556789&
 5 . 01112223334455678&
 6 . 000001111222233344445556667778889999
 7 . 000001122333334444455666777788899999
 8 . 0001112222333445555666677778888899
 9 . 000011111122333333444456677888999
10 . 000112234456789
11 .  013&
12 .  &
13 .  &

```

:remes (>=158)

10,00  
2 case(s)

Fractional leaves.



## čet bodu na didaktičke testy

### Leaf Plots

čet bodu na didaktičke testy Stem-and-Leaf Plot for  
eksperimentalni

Stem & Leaf

```
1 . 4&  
1 . 567889  
2 . 01122333444  
2 . 55566666788999  
3 . 0011122223334  
3 . 55556666667777778888888999999  
4 . 000111112222233333334444444  
4 . 55555666666677777888888999999  
5 . 00000000011111122222233333334444444  
5 . 5555566666667777788888899999999  
6 . 00000000111111122222223333334444  
6 . 555556666666777778888999999  
7 . 000111233344  
7 . 5566789  
8 . 0&  
8 . &
```

10,00

4 case(s)

fractional leaves.

čet bodu na didaktičke testy Stem-and-Leaf Plot for  
kontrolni

Stem & Leaf

```
0 . &  
1 . &  
1 . 89&  
2 . 112234  
2 . 57777889  
3 . 00011122334  
3 . 5566667777788889999  
4 . 0000111223333444  
4 . 555556666777888889999  
5 . 000001111122223333334444  
5 . 555666666677777888889999999  
6 . 0001111122233333344444  
6 . 55555666677888888999  
7 . 00011222344  
7 . 55667&  
8 . &
```





									Lower	
Equal variances assumed	,260	,610	-2,001	1688	,046	-1,63493	,81701	-3,23738		
Equal variances not assumed			-2,024	839,012	,043	-1,63493	,80792	-3,22070		

### Group Statistics

Group	N	Mean	Std. Deviation	Std. Error Mean
Experimental	1253	74,8691	19,83145	,56025
Control	466	74,7146	20,71284	,95950

### Independent Samples Test

	Levene's Test for Equality of Variances		t-test for Equality of Means						
	F	Sig.	t	df	Sig. (2-tailed)	Mean Difference	Std. Error Difference	95% Confidence Interval of the Difference	
								Lower	Upper
Equal variances assumed	2,474	,116	,142	1717	,887	,15452	1,08919	-1,98175	2,29080
Equal variances not assumed			,139	801,512	,889	,15452	1,11109	-2,02647	2,33551

### Case Processing Summary

Cases					
Valid		Missing		Total	
N	Percent	N	Percent	N	Percent
50	100,0%	0	,0%	50	100,0%
50	100,0%	0	,0%	50	100,0%
50	100,0%	0	,0%	50	100,0%
50	100,0%	0	,0%	50	100,0%

### Descriptives

Statistic	Std. Error
-----------	------------

Mean		32,24	2,719
95% Confidence Interval for Mean	Lower Bound	26,78	
	Upper Bound	37,70	
5% Trimmed Mean		31,48	
Median		33,00	
Variance		369,533	
Std. Deviation		19,223	
Minimum		2	
Maximum		83	
Range		81	
Interquartile Range		30	
Skewness		,390	,337
Kurtosis		-,379	,662
Mean		220,12	10,022
95% Confidence Interval for Mean	Lower Bound	199,98	
	Upper Bound	240,26	
5% Trimmed Mean		215,22	
Median		204,00	
Variance		5021,700	
Std. Deviation		70,864	
Minimum		117	
Maximum		418	
Range		301	
Interquartile Range		105	
Skewness		,912	,337
Kurtosis		,681	,662
Mean		25,80	2,786
95% Confidence Interval for Mean	Lower Bound	20,20	
	Upper Bound	31,40	
5% Trimmed Mean		24,96	
Median		21,00	
Variance		388,163	
Std. Deviation		19,702	
Minimum		0	
Maximum		68	
Range		68	
Interquartile Range		29	
Skewness		,664	,337
Kurtosis		-,625	,662
Mean		216,88	9,195
95% Confidence Interval for Mean	Lower Bound	198,40	
	Upper Bound	235,36	
5% Trimmed Mean		212,98	

Median	212,00	
Variance	4227,618	
Std. Deviation	65,020	
Minimum	115	
Maximum	460	
Range	345	
Interquartile Range	88	
Skewness	1,149	,337
Kurtosis	2,672	,662

Stem-and-Leaf Plot

Stem & Leaf

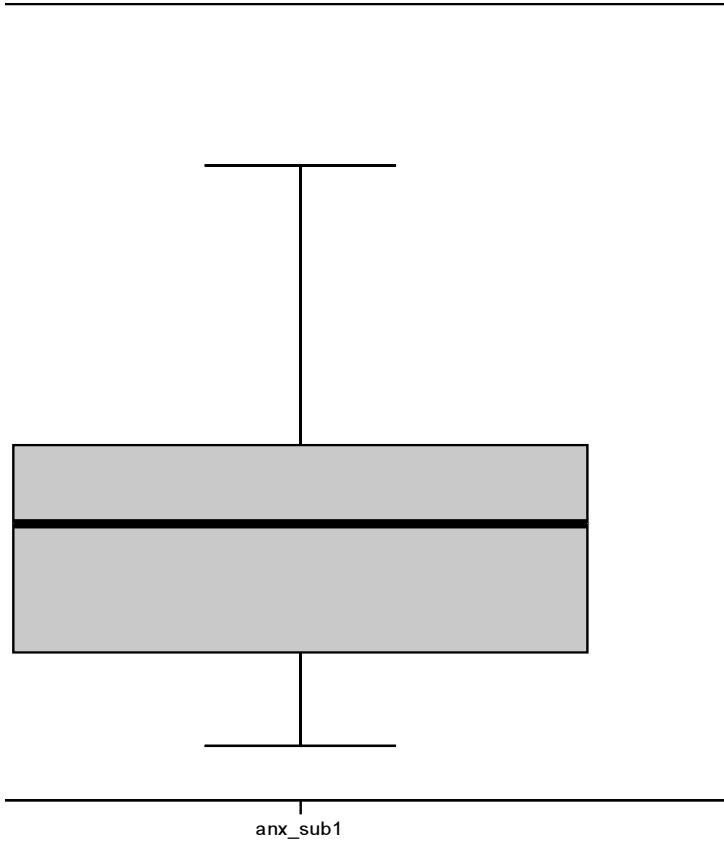
```

0 . 25677899
1 . 0234568
2 . 00344779
3 . 0334667
4 . 01123444569
5 . 0148
6 . 001
7 . 2
8 . 3

```

10

1 case(s)



Stem-and-Leaf Plot

Stem & Leaf

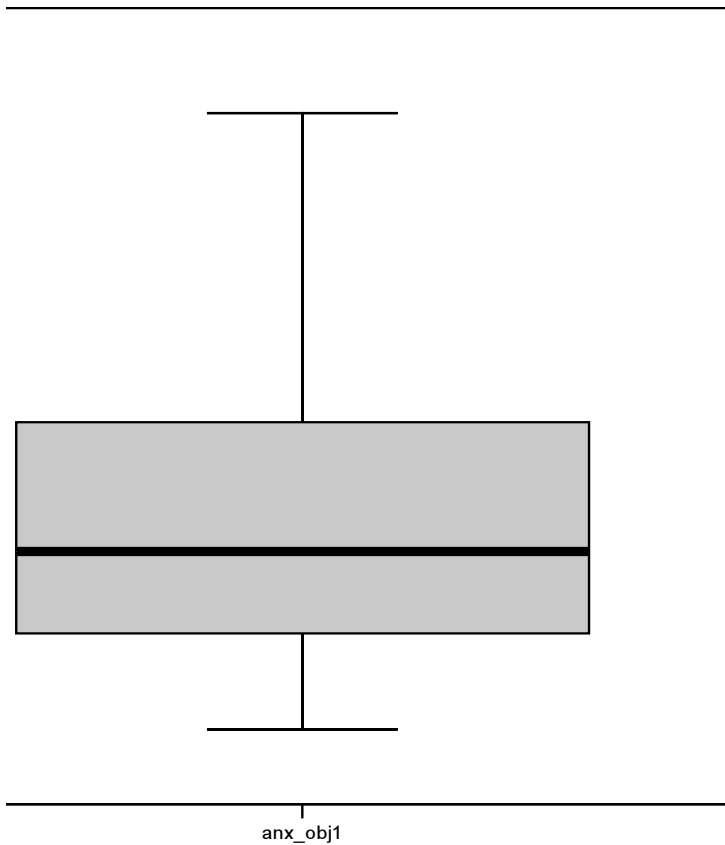
```

1 . 12333444
1 . 5556666788899
2 . 00000112233333
2 . 56677889
3 . 0012
3 . 5
4 . 11

```

100

1 case(s)



Stem-and-Leaf Plot

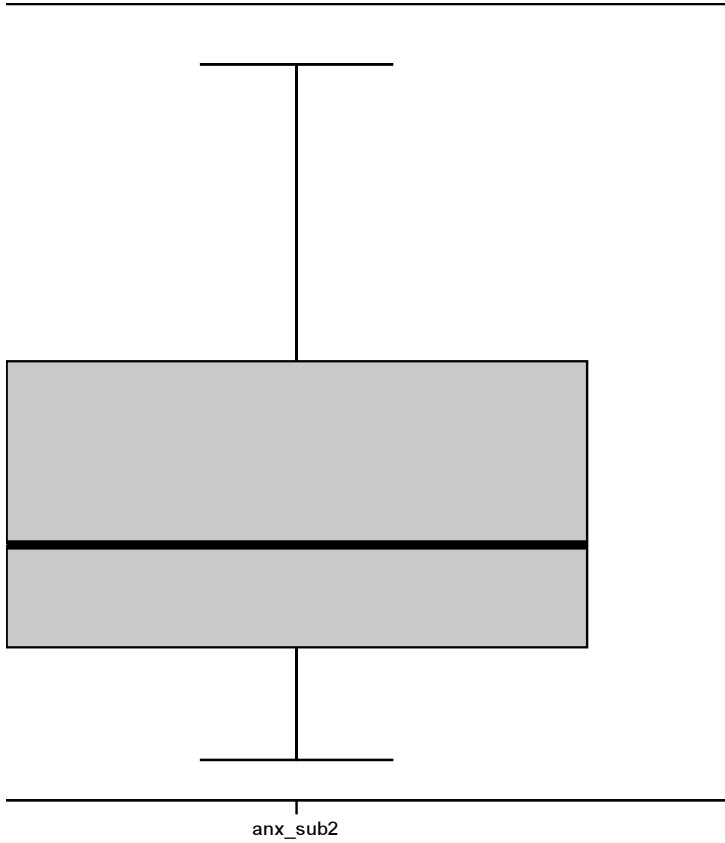
Stem & Leaf

```

0 . 000223
0 . 56777
1 . 11223
1 . 555578
2 . 00113344
2 . 699
3 . 02
3 . 559
4 . 34
4 .
5 . 0124
5 . 56
6 . 24
6 . 78

```

10  
1 case(s)



Stem-and-Leaf Plot

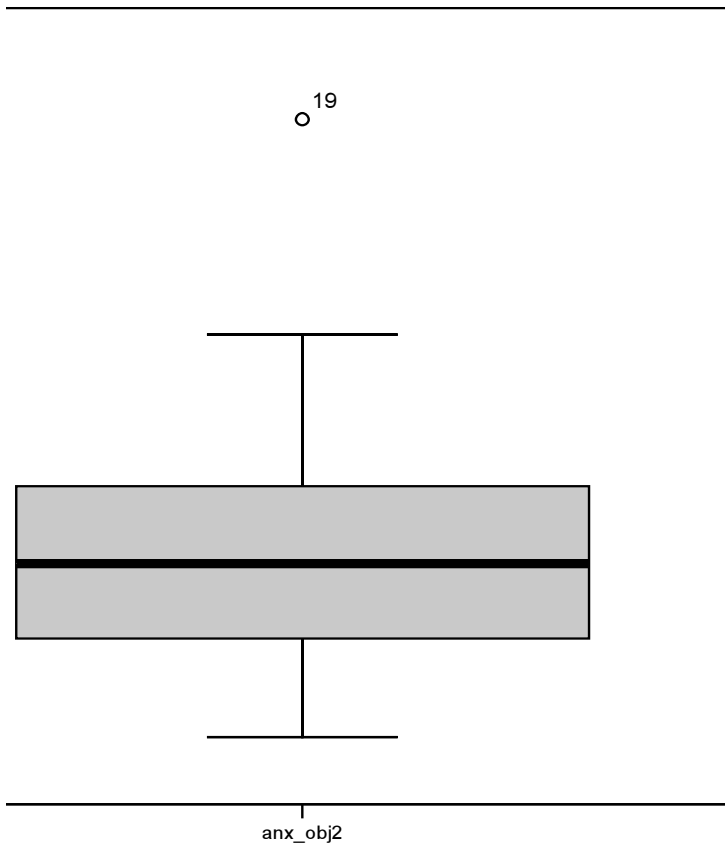
```

Stem & Leaf

  1 .  11234
  1 .  55556667777788999
  2 .  01111112233444
  2 .  5556677778
  3 .  224
:remes      (>=460)

      100
1 case(s)

```



**Paired Samples Statistics**

	Mean	N	Std. Deviation	Std. Error Mean
ub	32,24	50	19,223	2,719
ub	25,80	50	19,702	2,786
bj1	220,12	50	70,864	10,022
bj2	216,88	50	65,020	9,195

**Paired Samples Correlations**

	N	Correlation	Sig.
anx_sub1 & anx_sub2	50	,463	,001
anx_obj1 & anx_obj2	50	,655	,000

**Paired Samples Test**

	Paired Differences	t	df	Sig. (2-tailed)
--	--------------------	---	----	-----------------



	Mean	Std. Deviation	Std. Error Mean	95% Confidence Interval of the Difference				
				Lower	Upper			
anx_sub1 - anx_sub2	6,440	20,172	2,853	,707	12,173	2,257	49	,028
anx_obj1 - anx_obj2	3,240	56,653	8,012	-12,861	19,341	,404	49	,688

## vyřazení outliera

### Paired Samples Statistics

	Mean	N	Std. Deviation	Std. Error Mean
ub	32,71	49	19,125	2,732
ub	26,33	49	19,547	2,792
bj1	218,71	49	70,890	10,127
bj2	211,92	49	55,310	7,901

### Paired Samples Correlations

	N	Correlation	Sig.
anx_sub1 & anx_sub2	49	,445	,001
anx_obj1 & anx_obj2	49	,695	,000

### Paired Samples Test

	Paired Differences					t	df	Sig. (2-tailed)
	Mean	Std. Deviation	Std. Error Mean	95% Confidence Interval of the Difference				
				Lower	Upper			
anx_sub1 - anx_sub2	6,388	20,377	2,911	,535	12,241	2,194	48	,033
anx_obj1 - anx_obj2	6,796	51,294	7,328	-7,937	21,529	,927	48	,358