



**European Security and  
Defence Policy**

***- Civilian Crisis  
Management***





## European Security Strategy



**We need to be more active, more coherent and more capable**

**None of the new threats is purely military; nor can it be tackled by purely military means**

**In almost every major intervention, military efficiency has been followed by civilian chaos**

**We need greater capacity to bring all necessary civilian resources to bear in crisis and post crisis situations**



# Structures of Civilian Crisis Management in the EU

- **Historic Overview and EU comparative advantages**
- **'Crisis' and 'Crisis Management' used within the EU**
- **EU Council Secretariat**  
**DGE IX Civilian crisis management / CPCC /**  
**DGE VIII / EUMS / Situation Centre / Civ-Mil Cell**
- **Other actors**  
**European Commission / European Parliament /**  
**Member States**



# Priority areas of civilian crisis management

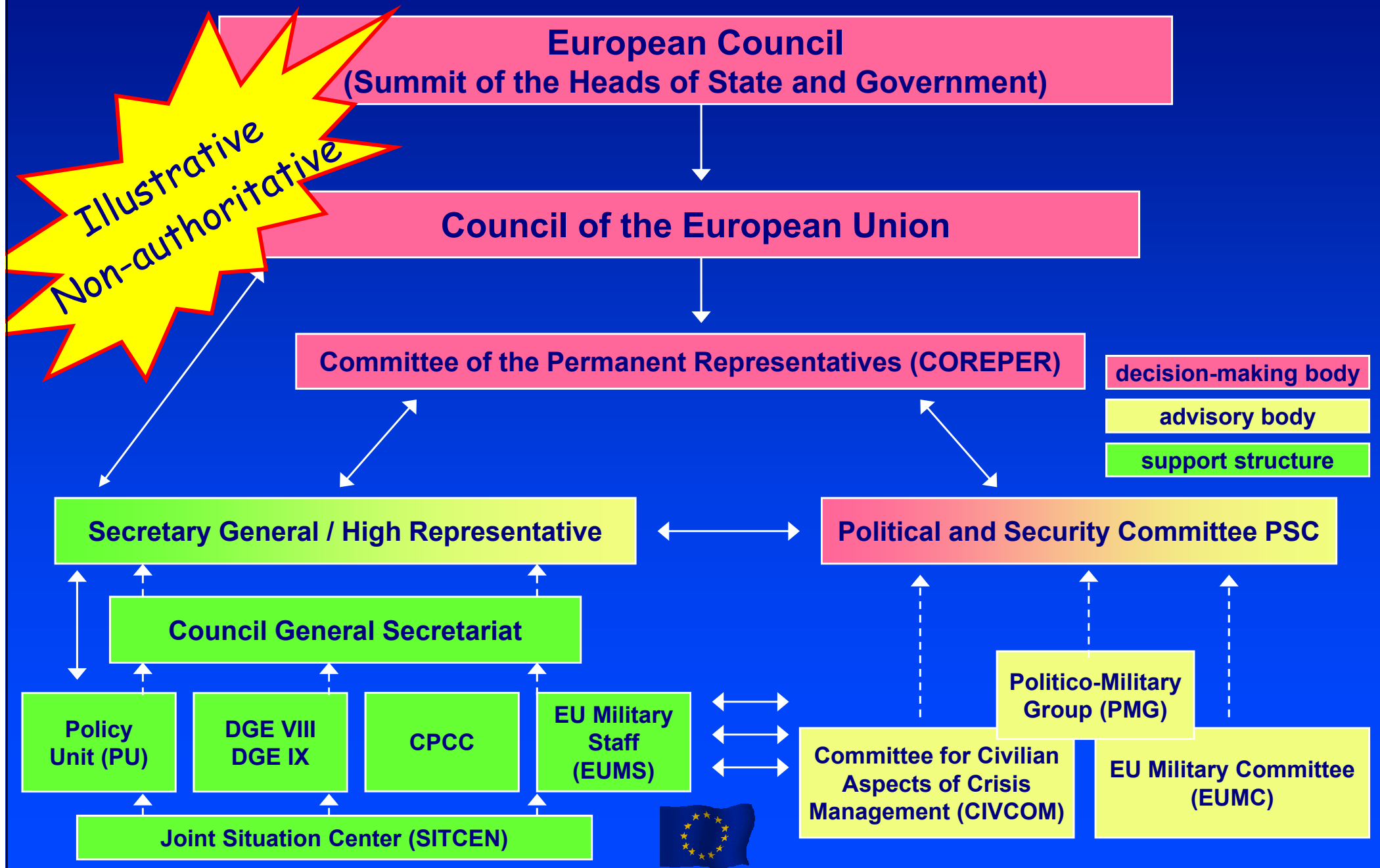
- **CIVILIAN HEADLINE GOAL 2008 (CHG)**  
Agreed by European Council in December 2004
- **Priority areas - Feira 2000**
  - **Police**
  - **Strengthening the Rule of Law**
  - **Civilian administration**
  - **Civil protection**

## Later :

- **Monitoring**
- **Strengthening of EUSR offices**



# Overview of Second-Pillar-Bodies (ESDP)



**Secretary General and  
High Representative for CFSP**  
*Javier Solana*

**Policy Unit**

**Deputy SG**

**Joint SITCEN**

**DG A - J**

**DG External  
Relations**

**Civilian Planning  
and Conduct  
Capability CPCC**

**DGEUMS**

**Deputy DG E  
ESDP & Operations**

**Enlargement**

**Development / Trade**

**America/UN/Hum.Rights  
Counter-Terrorism**

**Geographical Areas**

**Geographical Areas**

**Defense  
Issues  
(DG E VIII)**

**Civilian Crisis  
Management  
(DG E IX)**

**Concepts/Cap**

**Intelligence**

**Ops**

**Log**

**CIS**

**Civ-Mil Cell**



# Place of DGE IX in the EU Council Secretariat

- **DG E IX is the key Directorate inside DG E, the Directorate-General for external relations and politico-military affairs, responsible for civilian crisis management**
- **For the daily conduct of current civilian missions, the CPCC - Civilian Planning and Conduct Capability (CPCC) is the new standing HQs for civilian ESDP missions**



# Tasks for DGE IX

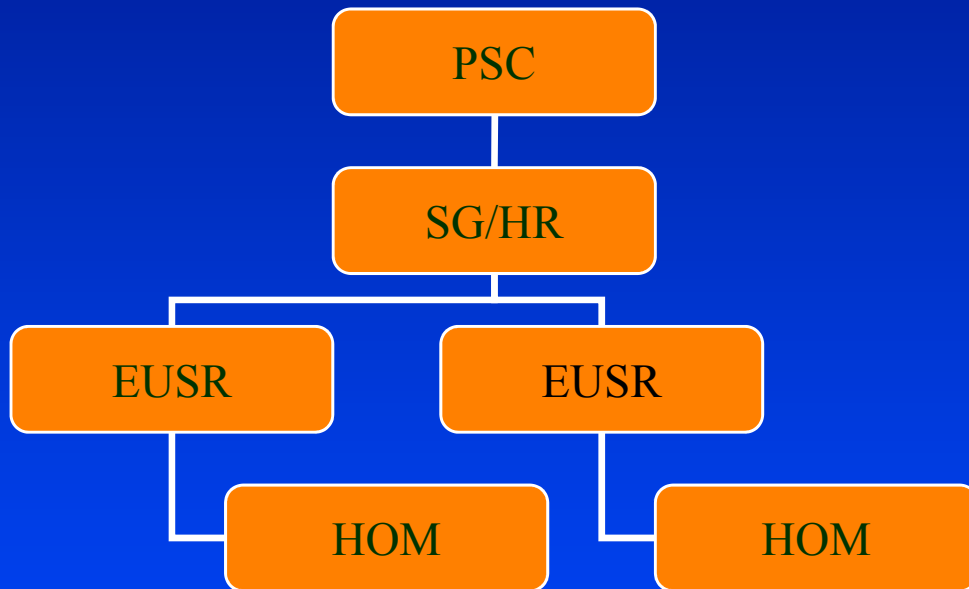
- **The Directorate for Civilian Crisis Management (DG E IX) deals with political, strategic and horizontal issues related to civilian crisis management**
- **This includes certain operational issues (e.g. CMC - Crisis Management Concept FFM, IAMC), lessons/best practices, training and mainstreaming new concepts and guidelines into operations**



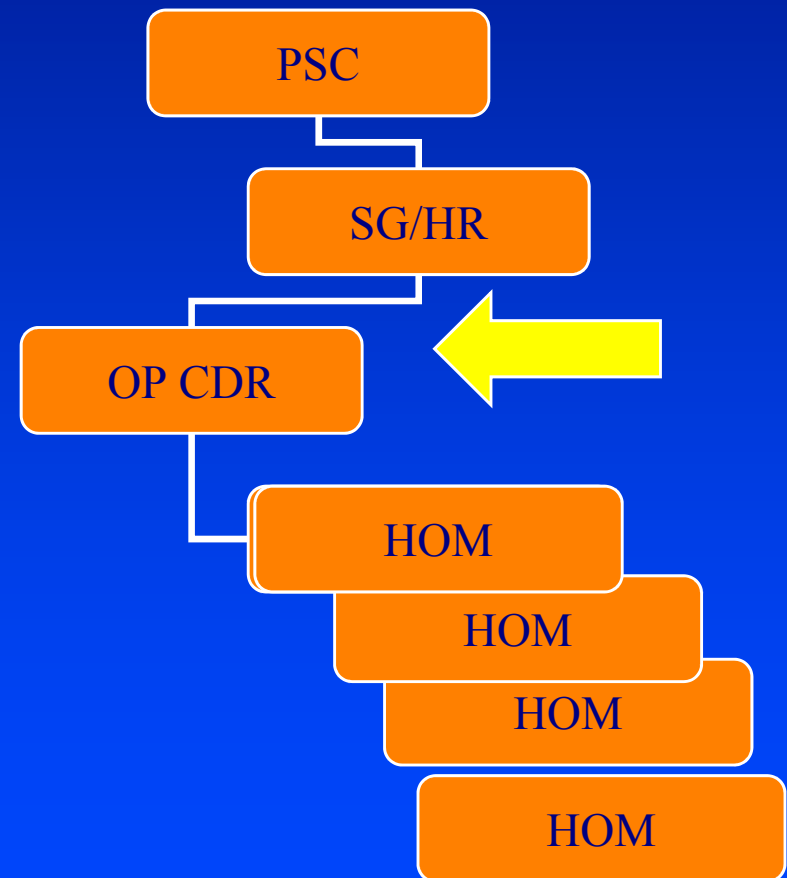


# Civilian C2 structure

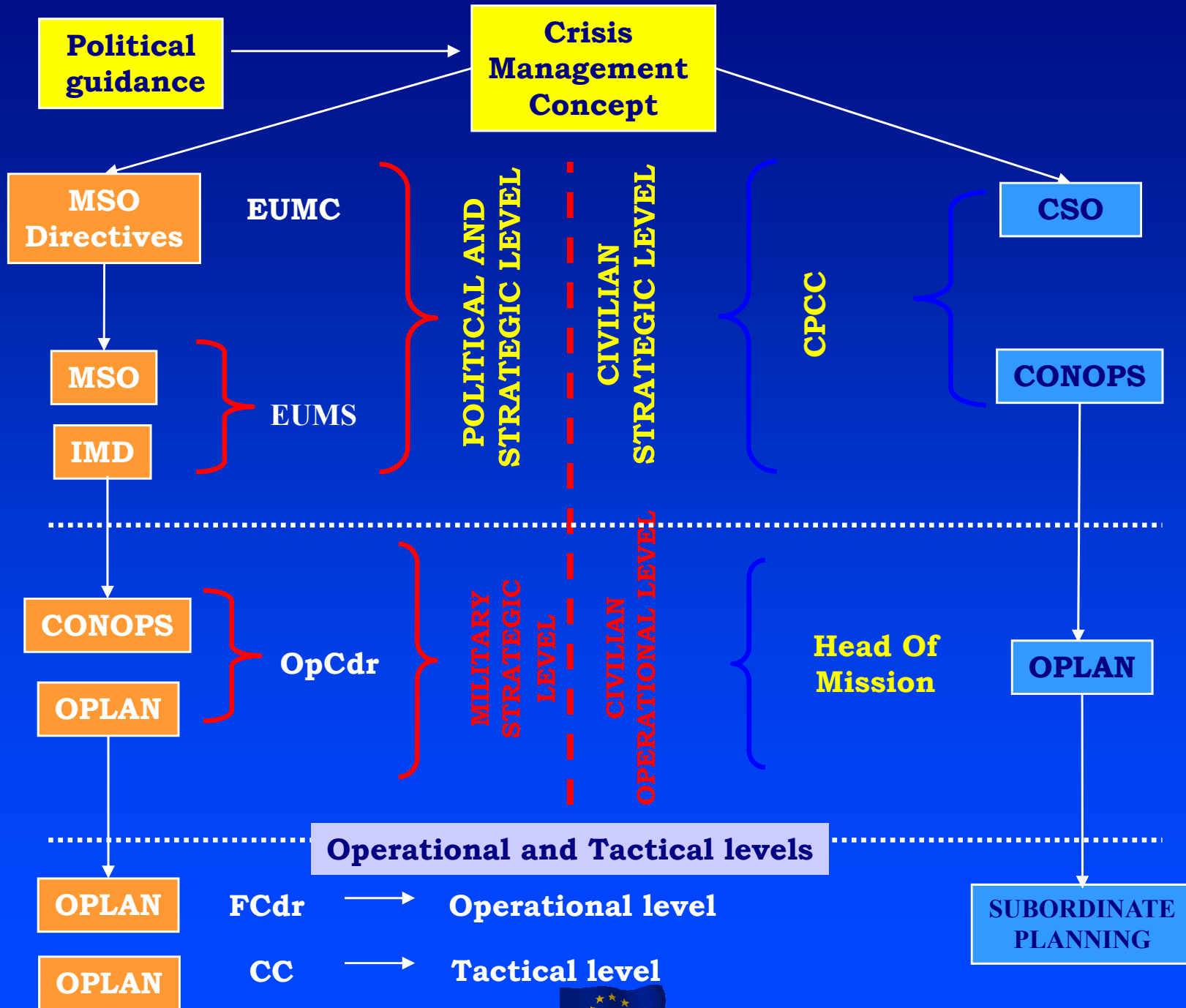
## FORMER



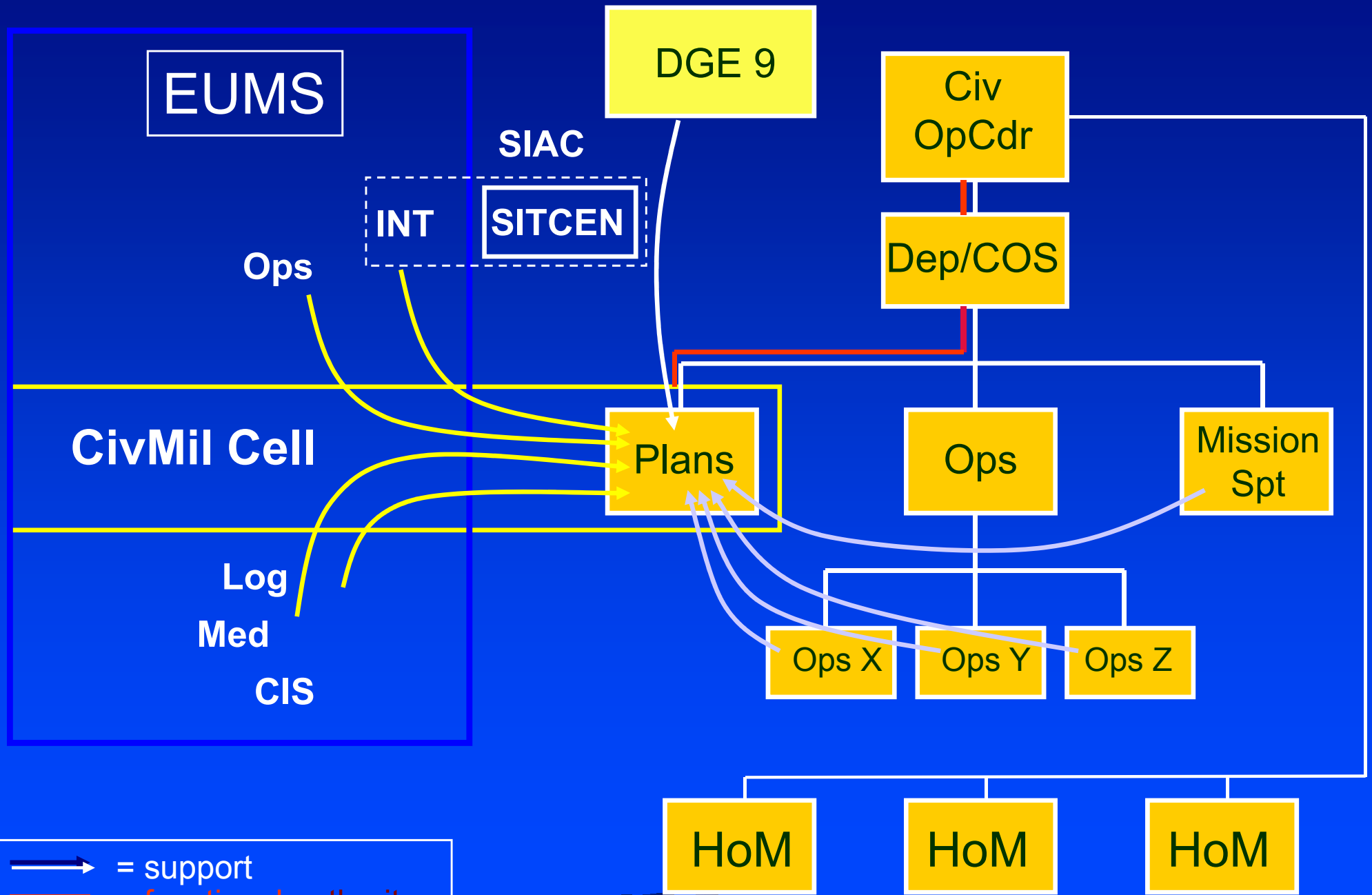
## CURRENT



# PLANNING PROCESS & LEVELS



# PLANNING OF CIVILIAN ESDP OPERATIONS



 = support  
 = functional authority



# Mission Overview

- **Civilian Missions 2003-2008**
- EUPM (2003-today) – Bosnia-Herzegovina
- EUPOL PROXIMA (2003-2005) – FYROM
- EUPAT (2005-2006) - FYROM
- EUJUST THEMIS (2004-2005) – Georgia
- EUJUST LEX (2005-today) - Iraq
- EUBAM Rafah – (2005-today) - Palestine
- EUPOL COPPS – (2006-today) - Palestine
- EUPOL Kinshasa (2006-2007) – DR Congo
- EUSEC RD Congo (2005-today) – DR Congo
- EUPOL DR Congo (2007-today) – DR Congo
- AMM (Aceh Monitoring Mission) (2005-2006) – Indonesia
- EUPOL Afghanistan (2007-today) – Afghanistan
- New missions 2008 : Kosovo (EUPT since 2006/EULEX),  
EU SSR Guinea-Bissau, EUMM Georgia



# EU Police Mission in Bosnia-Herzegovina (EUPM)

- **Objective: Creation of a BiH Police force meeting international standards**
- **Started: 1 January 2003**
- **Extended until 31 December 2009**
- **Strength: 170 staff members from 30 countries**



# EUPM – tasks:

- support, advise and guide the preparation and implementation of police restructuring
- improve, through proactive mentoring, monitoring and inspecting, police managerial and operational capacities
- assist the BiH Police in combating organised crime activities and follow up their actions
- monitor the exercise of political control over the police and address inappropriate political interference in the operational management of the police
- contribute to the consolidation of human rights, cooperation with ICTY, advice on constitutional reform



# EU BAM Rafah

- **Location: Rafah border crossing between Gaza and Egypt**
- **Israel – Palestinian Authority agreement of 15 November 2005**
- **Started: 26 November 2005**



# EU BAM Rafah - tasks:

- monitor, verify and evaluate the performance of the Palestinian Authority border control, security and customs officials working at the Terminal
- contribute to Palestinian capacity building in all aspects of border control and customs operation
- contribute to the liaison between the Palestinian, Israeli and Egyptian authorities in all aspects regarding the management of the Rafah Crossing Point





# **Aceh Monitoring Mission - AMM**

- **Started:  
15 September 2005**
- **Ended:  
15 December 2006**
- **conducted by EU with support  
of 5 ASEAN countries**



# AMM

- 240 staff members during initial phase, reduced to 36 in the final phase
- monitored the peace agreement between the Indonesian government and the Aceh independence movement (GAM), in particular the decommissioning of weapons



# **EU POLICE SUPPORT TO AFRICAN UNION'S MISSION IN SUDAN (*Darfur*) AMIS II**

- **Duration: September 2005 – December 2007**
- **Objectives:**
  - **Training of the AMIS police component**
  - **Strengthening of operational capacity through the support provided to the AMIS police component's chain of command**
  - **Advisory support to the build-up of a Police Unit in the Peace Support Operations Directorate of the AU Commission**
- **Closed down in December 2007 with a view of handover to AU-UN Mission**



# EUPOL Afghanistan

- Around 200 staff members. Launched 15 June 2007. Presence on central, regional and provincial level.
- One chain of command for experts from all participating states (EU members/ Third States)
- The reform of Ministry of the Interior is performed through intensive and longer-term mentoring and advising of key officials.
- Areas of emphasis: Criminal investigations, Training and Education (building own capacities of the ANP) and Border police.
- Interface with criminal justice (Attorney General's Office for Public Prosecutors, Ministry of Justice for criminal justice-related legislation).



# EUPOL Afghanistan - tasks

- - To significantly contribute to the establishment of sustainable and effective civilian policing arrangements that will ensure appropriate interaction with the wider criminal justice system:
  - under Afghan ownership
  - in accordance with international standards
  - and in keeping with the policy advice and institution building work of the European Commission, Member States and other international actors.
- It will support the reform process towards a police service trusted by the citizens, working within the framework of the rule of law and respecting human rights.



# EU SSR GUINEA BISSAU

- **EU Mission in support of security sector reform in the Republic of Guinea-Bissau**
- **Implementation phase 1 May 2008**
- **Duration up to 12 months**
- **Tasks:**
  - **Operationalisation of the National Security Strategy through assisting in the development of detailed implementation plans for downsizing the Armed Forces and security forces.**
  - **Assistance to the development and articulation of capacity-building needs (training, equipment, mobilisation of donors).**
  - **Assessment of the potential and risk for continued ESDP engagement in the medium term and support of SSR implementation.**



# **EULEX Kosovo**

## **Rule of Law mission in Kosovo**

- **Establishment of an EU planning team for Kosovo (EUPT Kosovo) in May 2006**
- **EULEX Kosovo – launched 16 February 2008**
- **The EU stands ready to support the implementation of a political decision on the status of Kosovo**
- **A mission of approximately 1900 international staff**
- **Largest and most complex civilian mission so far**
- **First civilian ESDP mission with executive mandate**



# EULEX Kosovo – key aspects:

An integrated ESDP mission will be involved in :

- justice
- police
- customs

A mandate with limited executive and correctional powers:

- inter-ethnic crime
- war crimes
- corruption
- financial crime
- organised crime





# EU crisis management - EC tools

- Broad range of EU external tools
- EC Development and Cooperation Assistance
- Humanitarian Assistance – ECHO
- Civil protection – MIC
- Instrument for Stability (IfS), formerly RRM
- European Commission is fully associated to CFSP
- Treaty based distinction in decision-making



# CFSP and EC responding to crises

## ■ CFSP Strengths

- Full political weight of 27 MSs
- High visibility of the EU
- Both civ and mil ESDP operations
- Increasing expertise within GSC structures
- Possibility to take over from UN/NATO/OSCE

## ■ EC Strengths

- Long-term presence in the country
- Experience with projects in various sectors
- No need for consensus
- Overall volume of aid and other incentives



