



**European Security and
Defence Policy**

***- Civilian Crisis
Management***





European Security Strategy



We need to be more active, more coherent and more capable

None of the new threats is purely military; nor can it be tackled by purely military means

In almost every major intervention, military efficiency has been followed by civilian chaos

We need greater capacity to bring all necessary civilian resources to bear in crisis and post crisis situations



Structures of Civilian Crisis Management in the EU

- **Historic Overview and EU comparative advantages**
- **'Crisis' and 'Crisis Management' used within the EU**
- **EU Council Secretariat**
DGE IX Civilian crisis management / CPCC /
DGE VIII / EUMS / Situation Centre / Civ-Mil Cell
- **Other actors**
European Commission / European Parliament /
Member States



Priority areas of civilian crisis management

- **CIVILIAN HEADLINE GOAL 2008 (CHG)**
Agreed by European Council in December 2004

- **Priority areas - Feira 2000**

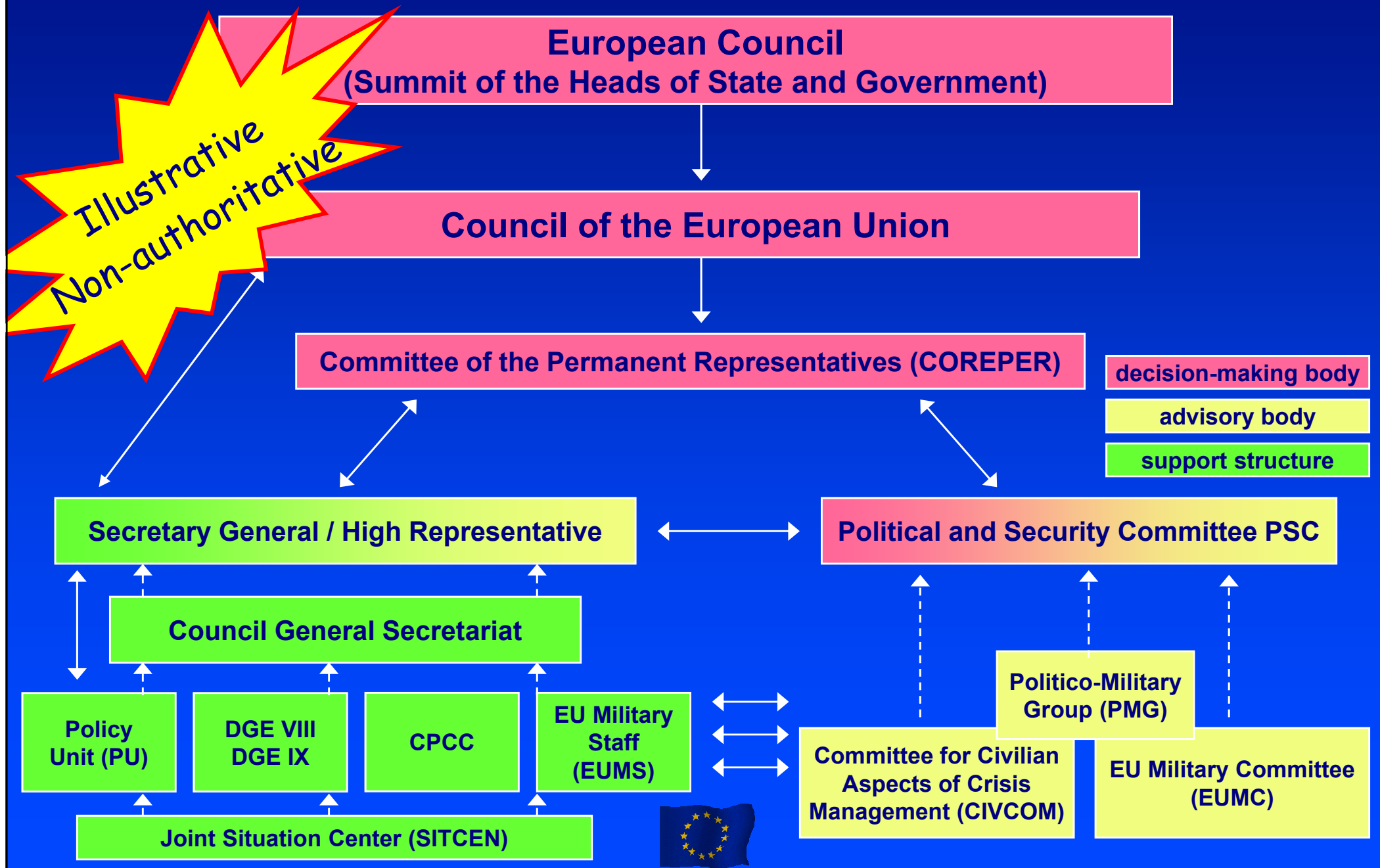
- **Police**
- **Strengthening the Rule of Law**
- **Civilian administration**
- **Civil protection**

Later :

- **Monitoring**
- **Strengthening of EUSR offices**



Overview of Second-Pillar-Bodies (ESDP)



**Secretary General and
High Representative for CFSP**
Javier Solana

Policy Unit

Deputy SG

Joint SITCEN

DG A - J

**DG External
Relations**

**Civilian Planning
and Conduct
Capability CPCC**

DGEUMS

**Deputy DG E
ESDP & Operations**

Enlargement

Development / Trade

**America/UN/Hum.Rights
Counter-Terrorism**

Geographical Areas

Geographical Areas

**Defense
Issues
(DG E VIII)**

**Civilian Crisis
Management
(DG E IX)**

Concepts/Cap

Intelligence

Ops

Log

CIS

Civ-Mil Cell



Place of DGE IX in the EU Council Secretariat

- **DG E IX is the key Directorate inside DG E, the Directorate-General for external relations and politico-military affairs, responsible for civilian crisis management**
- **For the daily conduct of current civilian missions, the CPCC - Civilian Planning and Conduct Capability (CPCC) is the new standing HQs for civilian ESDP missions**



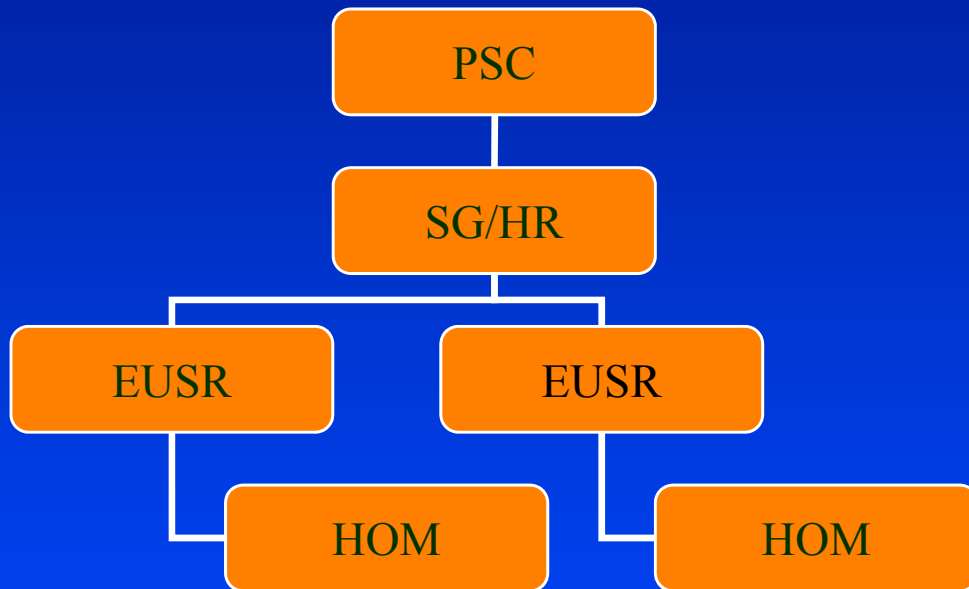
Tasks for DGE IX

- **The Directorate for Civilian Crisis Management (DG E IX) deals with political, strategic and horizontal issues related to civilian crisis management**
- **This includes certain operational issues (e.g. CMC - Crisis Management Concept FFM, IAMC), lessons/best practices, training and mainstreaming new concepts and guidelines into operations**

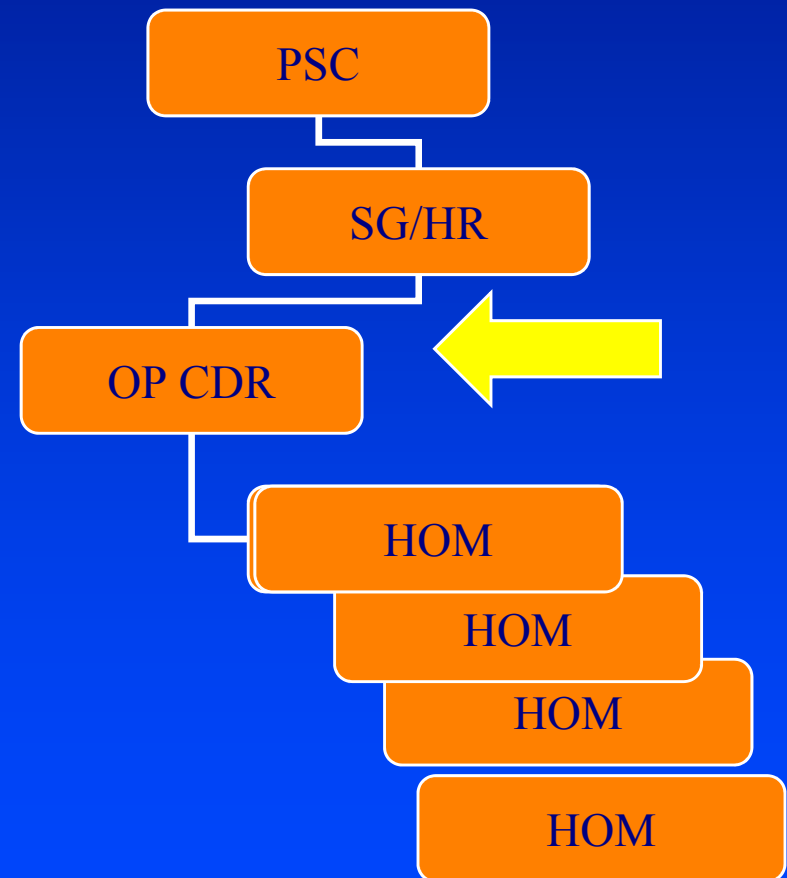


Civilian C2 structure

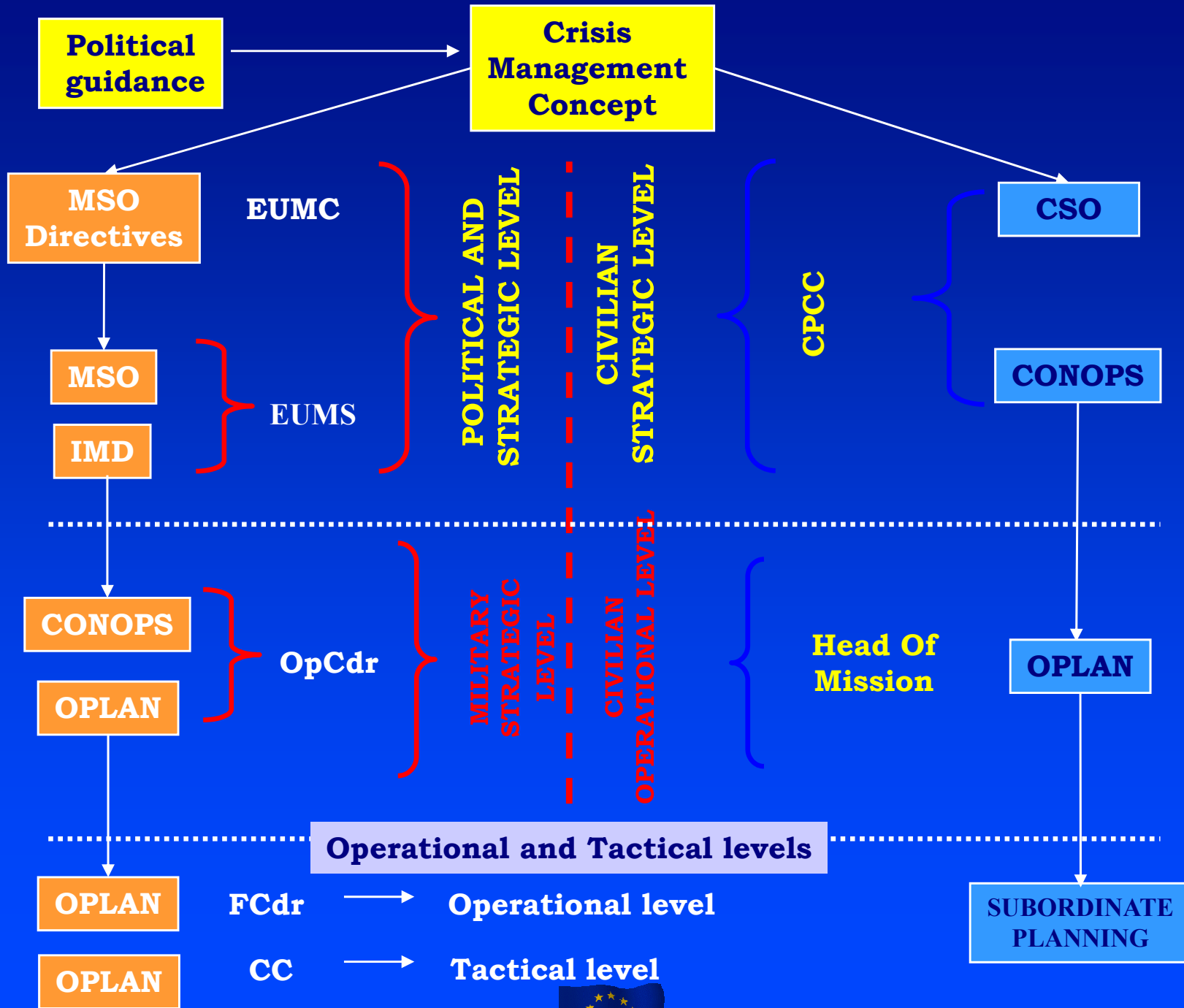
FORMER



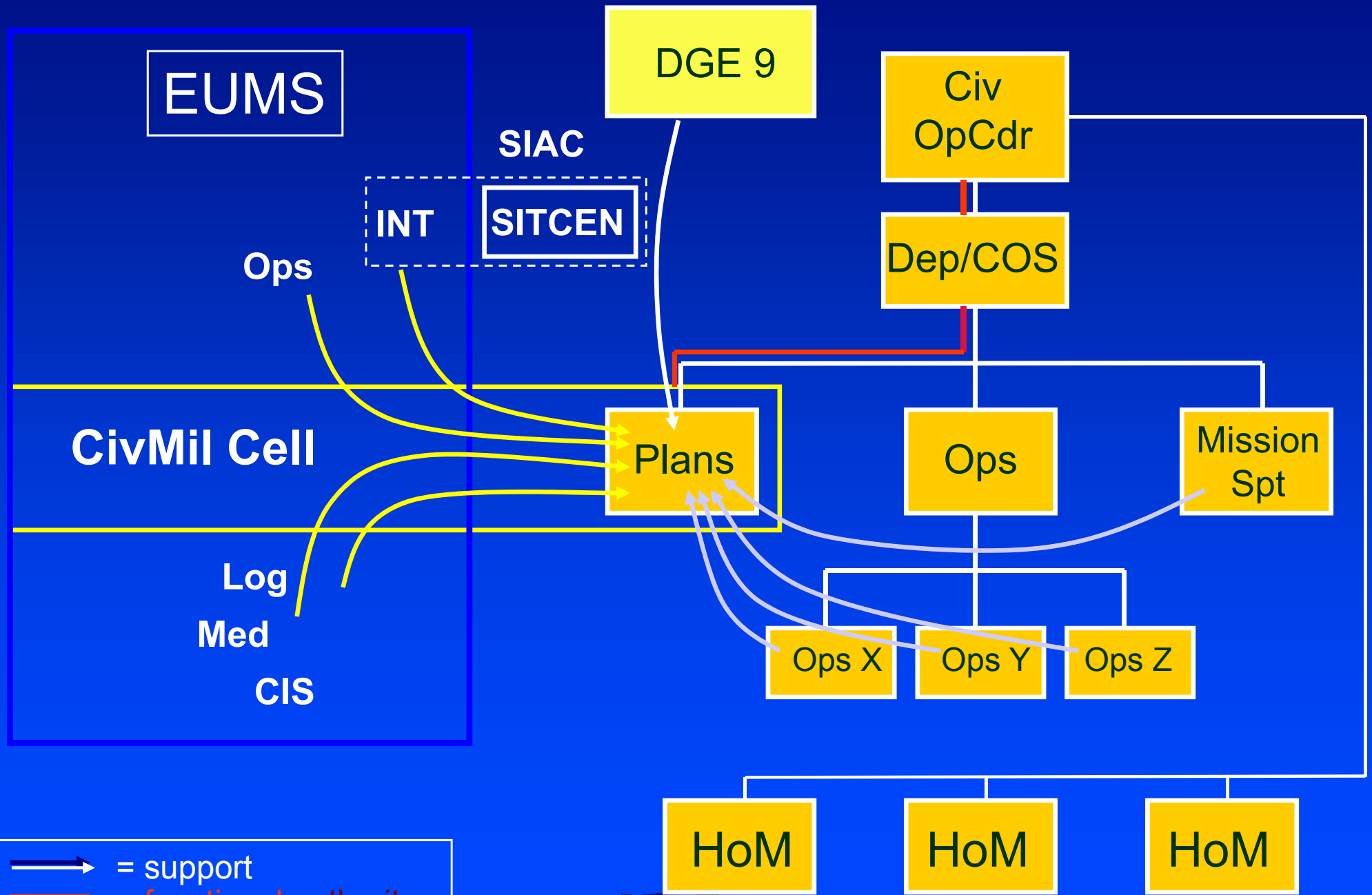
CURRENT



PLANNING PROCESS & LEVELS



PLANNING OF CIVILIAN ESDP OPERATIONS



Mission Overview

- **Civilian Missions 2003-2008**
- EUPM (2003-today) – Bosnia-Herzegovina
- EUPOL PROXIMA (2003-2005) – FYROM
- EUPAT (2005-2006) - FYROM
- EUJUST THEMIS (2004-2005) – Georgia
- EUJUST LEX (2005-today) - Iraq
- EUBAM Rafah – (2005-today) - Palestine
- EUPOL COPPS – (2006-today) - Palestine
- EUPOL Kinshasa (2006-2007) – DR Congo
- EUSEC RD Congo (2005-today) – DR Congo
- EUPOL DR Congo (2007-today) – DR Congo
- AMM (Aceh Monitoring Mission) (2005-2006) – Indonesia
- EUPOL Afghanistan (2007-today) – Afghanistan
- New missions 2008 : Kosovo (EUPT since 2006/EULEX),
EU SSR Guinea-Bissau, EUMM Georgia



EU Police Mission in Bosnia-Herzegovina (EUPM)

- **Objective: Creation of a BiH Police force meeting international standards**
- **Started: 1 January 2003**
- **Extended until 31 December 2009**
- **Strength: 170 staff members from 30 countries**



EUPM – tasks:

- support, advise and guide the preparation and implementation of police restructuring
- improve, through proactive mentoring, monitoring and inspecting, police managerial and operational capacities
- assist the BiH Police in combating organised crime activities and follow up their actions
- monitor the exercise of political control over the police and address inappropriate political interference in the operational management of the police
- contribute to the consolidation of human rights, cooperation with ICTY, advice on constitutional reform



EU BAM Rafah

- **Location: Rafah border crossing between Gaza and Egypt**
- **Israel – Palestinian Authority agreement of 15 November 2005**
- **Started: 26 November 2005**



EU BAM Rafah - tasks:

- monitor, verify and evaluate the performance of the Palestinian Authority border control, security and customs officials working at the Terminal
- contribute to Palestinian capacity building in all aspects of border control and customs operation
- contribute to the liaison between the Palestinian, Israeli and Egyptian authorities in all aspects regarding the management of the Rafah Crossing Point



Aceh Monitoring Mission - AMM

- **Started:
15 September 2005**
- **Ended:
15 December 2006**
- **conducted by EU with support
of 5 ASEAN countries**



AMM

- 240 staff members during initial phase, reduced to 36 in the final phase
- monitored the peace agreement between the Indonesian government and the Aceh independence movement (GAM), in particular the decommissioning of weapons



EU POLICE SUPPORT TO AFRICAN UNION'S MISSION IN SUDAN (*Darfur*) AMIS II

- **Duration: September 2005 – December 2007**
- **Objectives:**
 - **Training of the AMIS police component**
 - **Strengthening of operational capacity through the support provided to the AMIS police component's chain of command**
 - **Advisory support to the build-up of a Police Unit in the Peace Support Operations Directorate of the AU Commission**
- **Closed down in December 2007 with a view of handover to AU-UN Mission**



EUPOL Afghanistan

- Around 200 staff members. Launched 15 June 2007. Presence on central, regional and provincial level.
- One chain of command for experts from all participating states (EU members/ Third States)
- The reform of Ministry of the Interior is performed through intensive and longer-term mentoring and advising of key officials.
- Areas of emphasis: Criminal investigations, Training and Education (building own capacities of the ANP) and Border police.
- Interface with criminal justice (Attorney General's Office for Public Prosecutors, Ministry of Justice for criminal justice-related legislation).



EUPOL Afghanistan - tasks

- - To significantly contribute to the establishment of sustainable and effective civilian policing arrangements that will ensure appropriate interaction with the wider criminal justice system:
 - under Afghan ownership
 - in accordance with international standards
 - and in keeping with the policy advice and institution building work of the European Commission, Member States and other international actors.
- It will support the reform process towards a police service trusted by the citizens, working within the framework of the rule of law and respecting human rights.



EU SSR GUINEA BISSAU

- **EU Mission in support of security sector reform in the Republic of Guinea-Bissau**
- **Implementation phase 1 May 2008**
- **Duration up to 12 months**
- **Tasks:**
 - **Operationalisation of the National Security Strategy through assisting in the development of detailed implementation plans for downsizing the Armed Forces and security forces.**
 - **Assistance to the development and articulation of capacity-building needs (training, equipment, mobilisation of donors).**
 - **Assessment of the potential and risk for continued ESDP engagement in the medium term and support of SSR implementation.**



EULEX Kosovo

Rule of Law mission in Kosovo

- **Establishment of an EU planning team for Kosovo (EUPT Kosovo) in May 2006**
- **EULEX Kosovo – launched 16 February 2008**
- **The EU stands ready to support the implementation of a political decision on the status of Kosovo**
- **A mission of approximately 1900 international staff**
- **Largest and most complex civilian mission so far**
- **First civilian ESDP mission with executive mandate**



EULEX Kosovo – key aspects:

An integrated ESDP mission will be involved in :

- **justice**
- **police**
- **customs**

A mandate with limited executive and correctional powers:

- **inter-ethnic crime**
- **war crimes**
- **corruption**
- **financial crime**
- **organised crime**



EU crisis management - EC tools

- Broad range of EU external tools
- EC Development and Cooperation Assistance
- Humanitarian Assistance – ECHO
- Civil protection – MIC
- Instrument for Stability (IfS), formerly RRM
- European Commission is fully associated to CFSP
- Treaty based distinction in decision-making



CFSP and EC responding to crises

■ CFSP Strengths

- Full political weight of 27 MSs
- High visibility of the EU
- Both civ and mil ESDP operations
- Increasing expertise within GSC structures
- Possibility to take over from UN/NATO/OSCE

■ EC Strengths

- Long-term presence in the country
- Experience with projects in various sectors
- No need for consensus
- Overall volume of aid and other incentives



