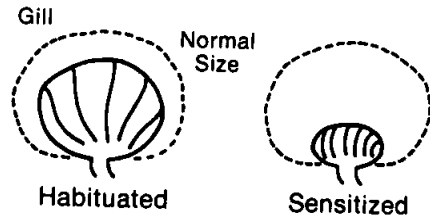
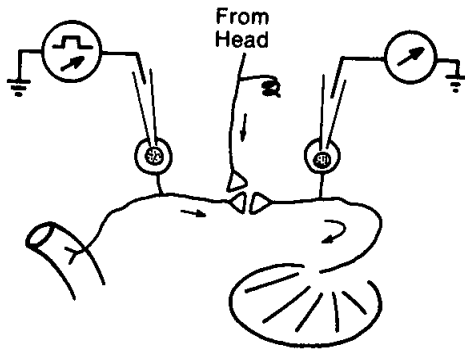
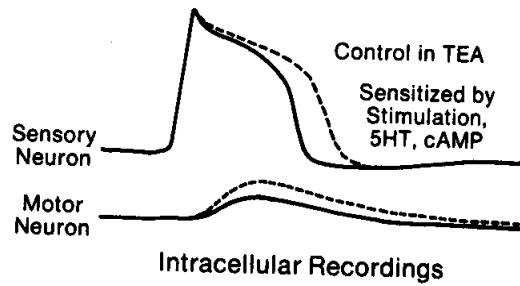
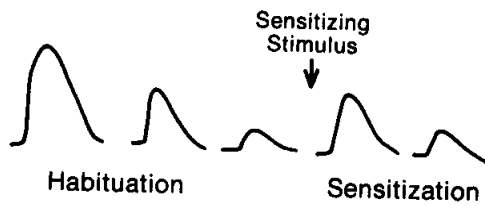


A. EXPERIMENTAL SET-UP DEMONSTRATING SENSITIZATION

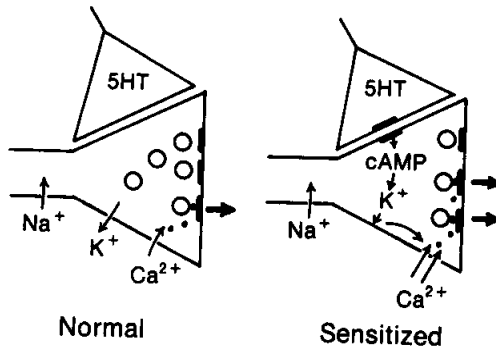


B. ELECTROPHYSIOLOGICAL ANALYSIS

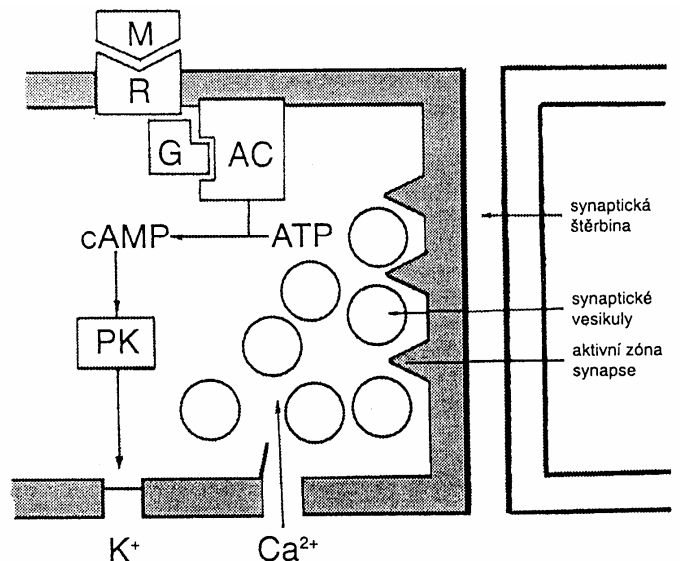
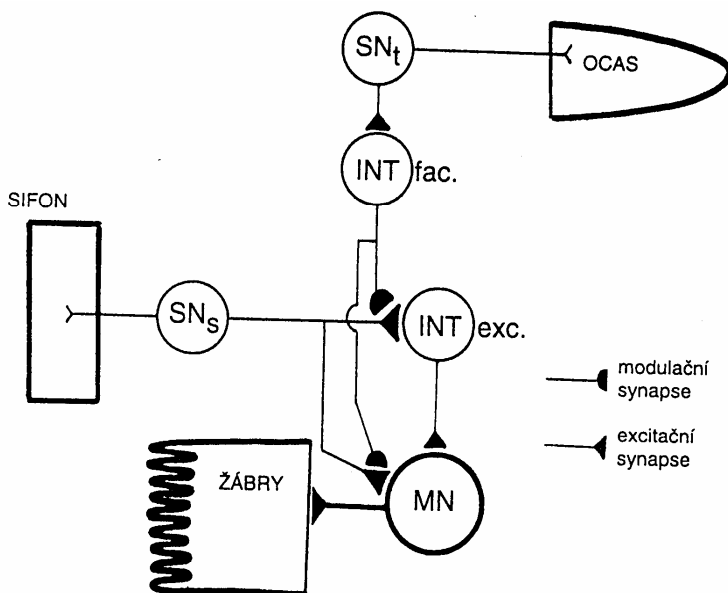
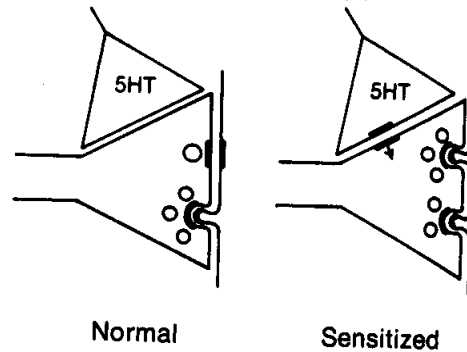


C. CONCEPTUAL MODELS

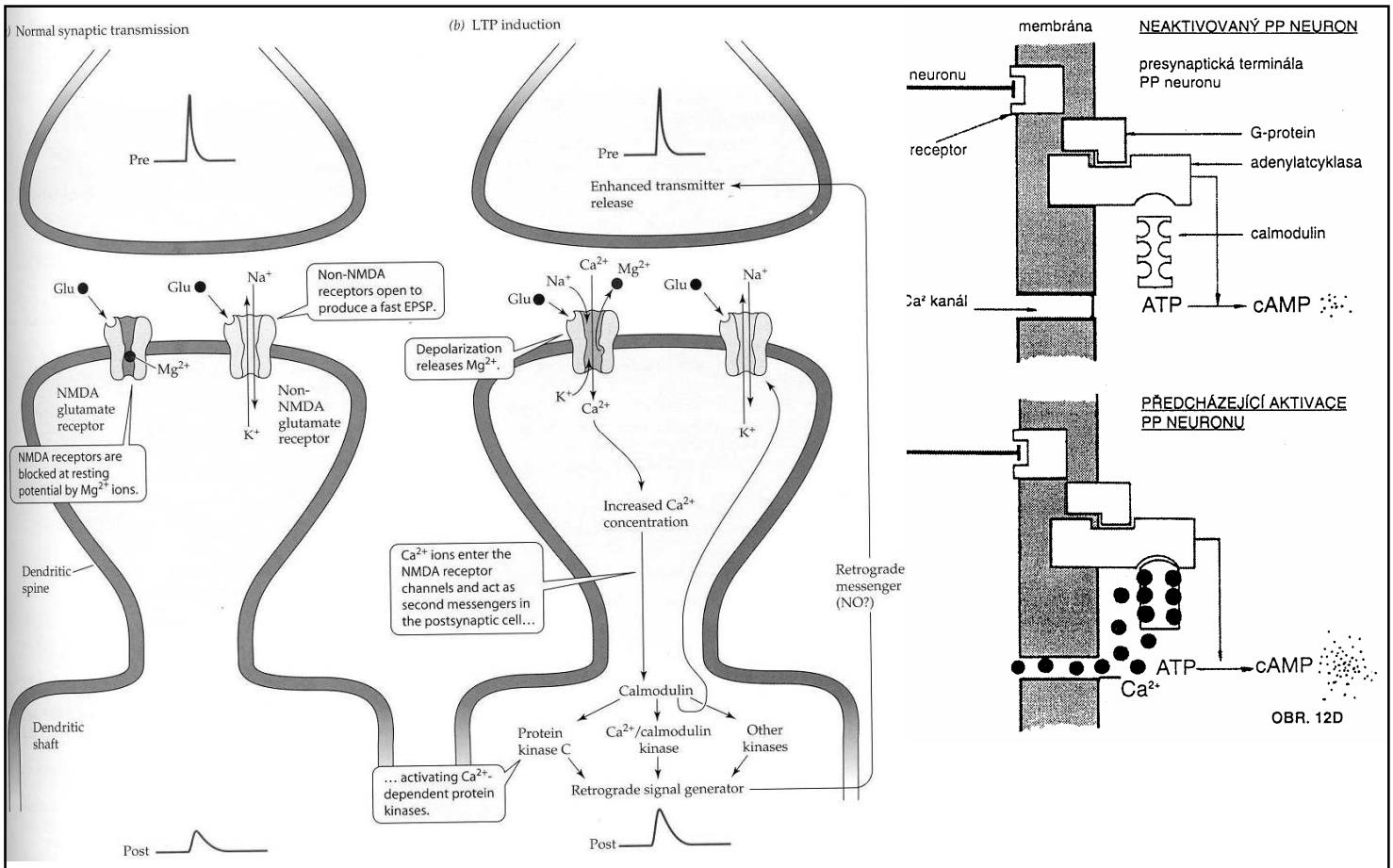
SHORT-TERM SENSITIZATION



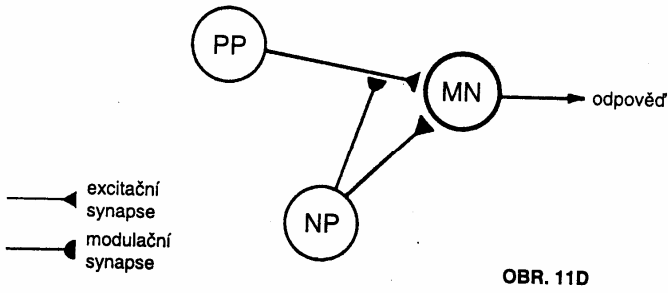
LONG-TERM SENSITIZATION



M – modulační mediátor
 R – receptor
 G – G-protein
 AC – adenylylcyklasa
 PK – proteinkinasa



OBR. 12D



OBR. 11D

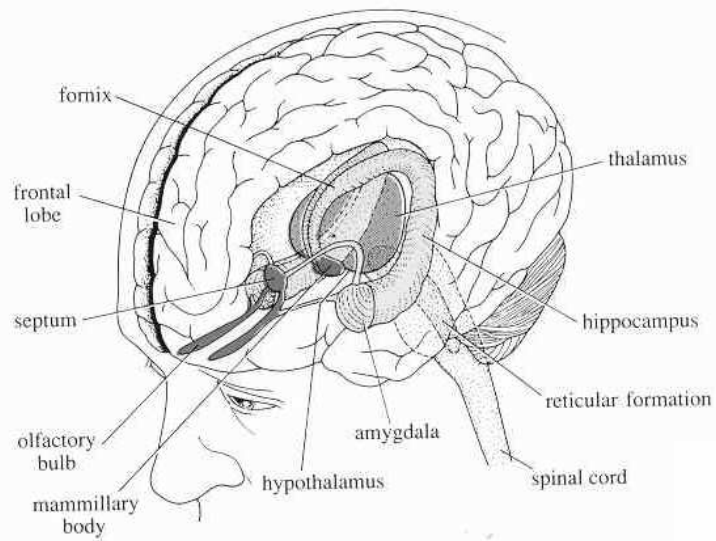
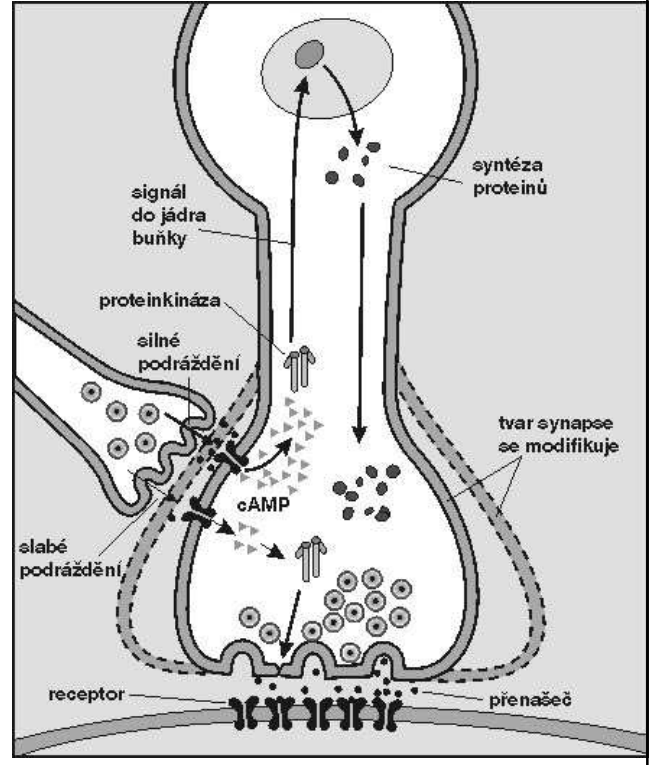


Figure 10.1 The limbic system (the main limbic system structures are sl

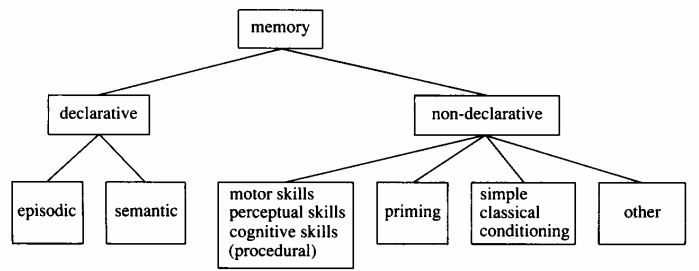


Figure 11.11 The classification of memory based on investigations of the amnesic syndrome.