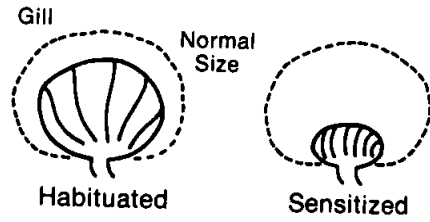
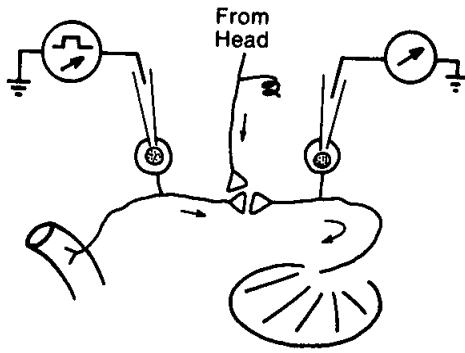
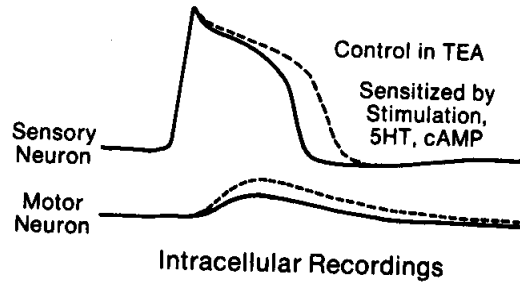
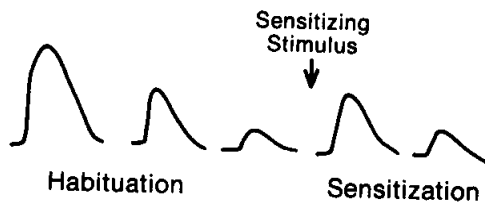


A. EXPERIMENTAL SET-UP DEMONSTRATING SENSITIZATION

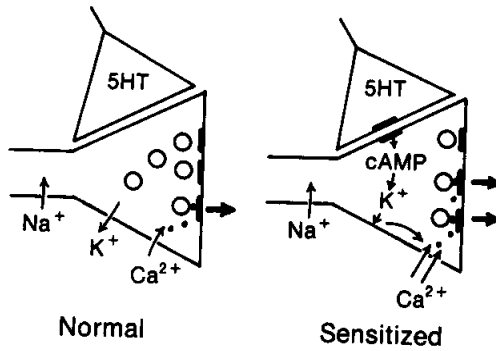


B. ELECTROPHYSIOLOGICAL ANALYSIS

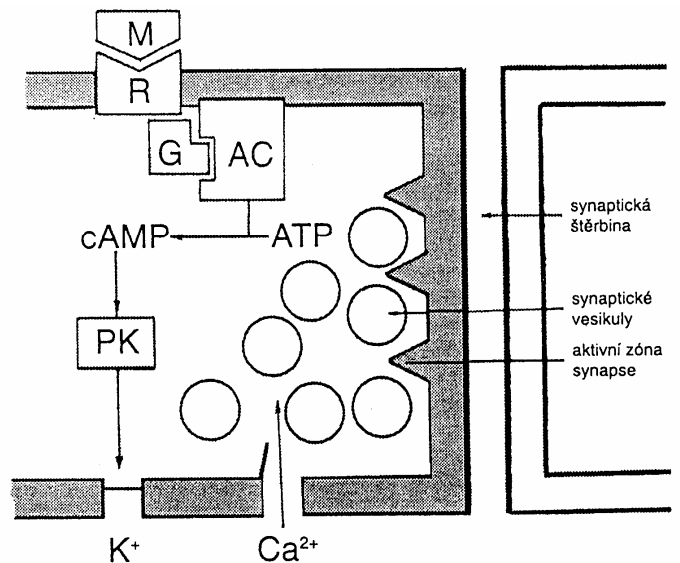
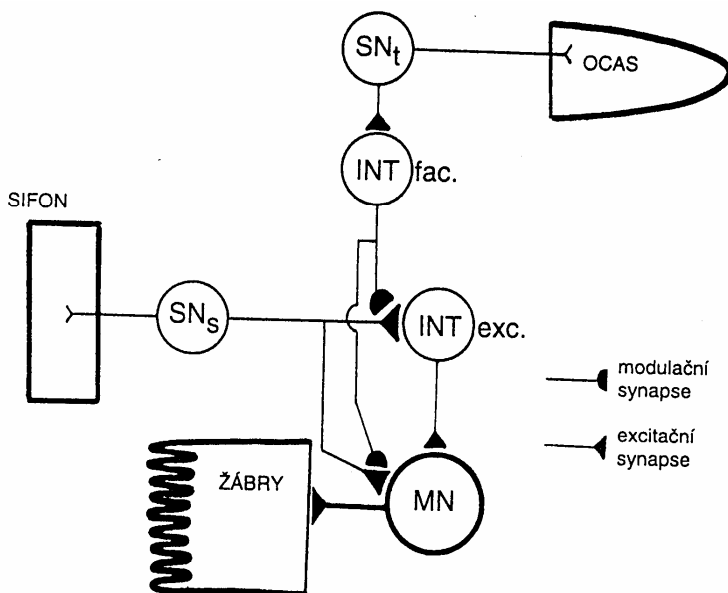
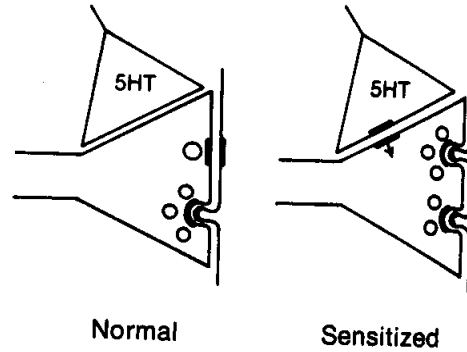


C. CONCEPTUAL MODELS

SHORT-TERM SENSITIZATION



LONG-TERM SENSITIZATION



M - modulační mediátor
 R - receptor
 G - G-protein
 AC - adenylylcyklasa
 PK - proteinkinasa

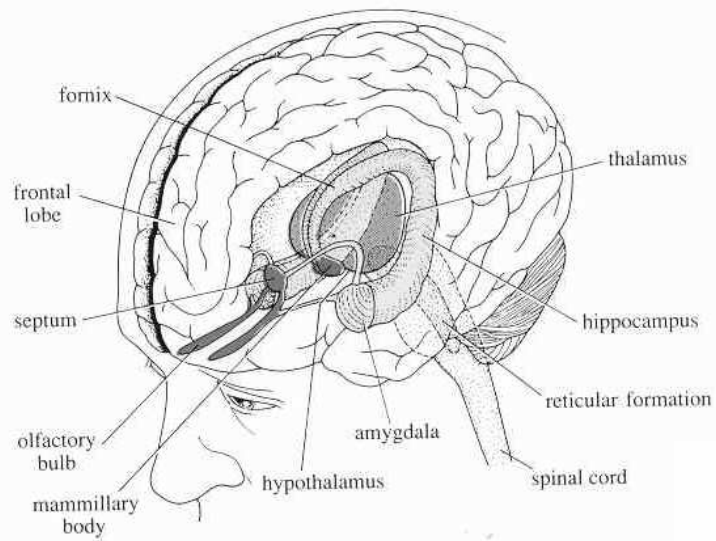
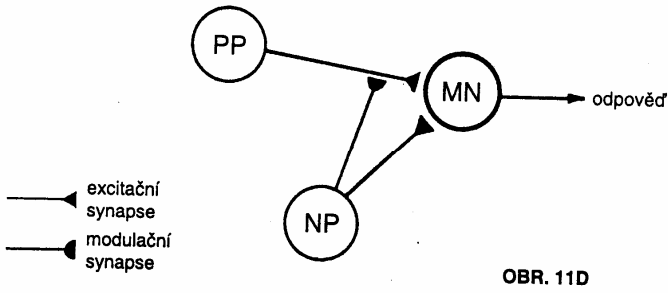
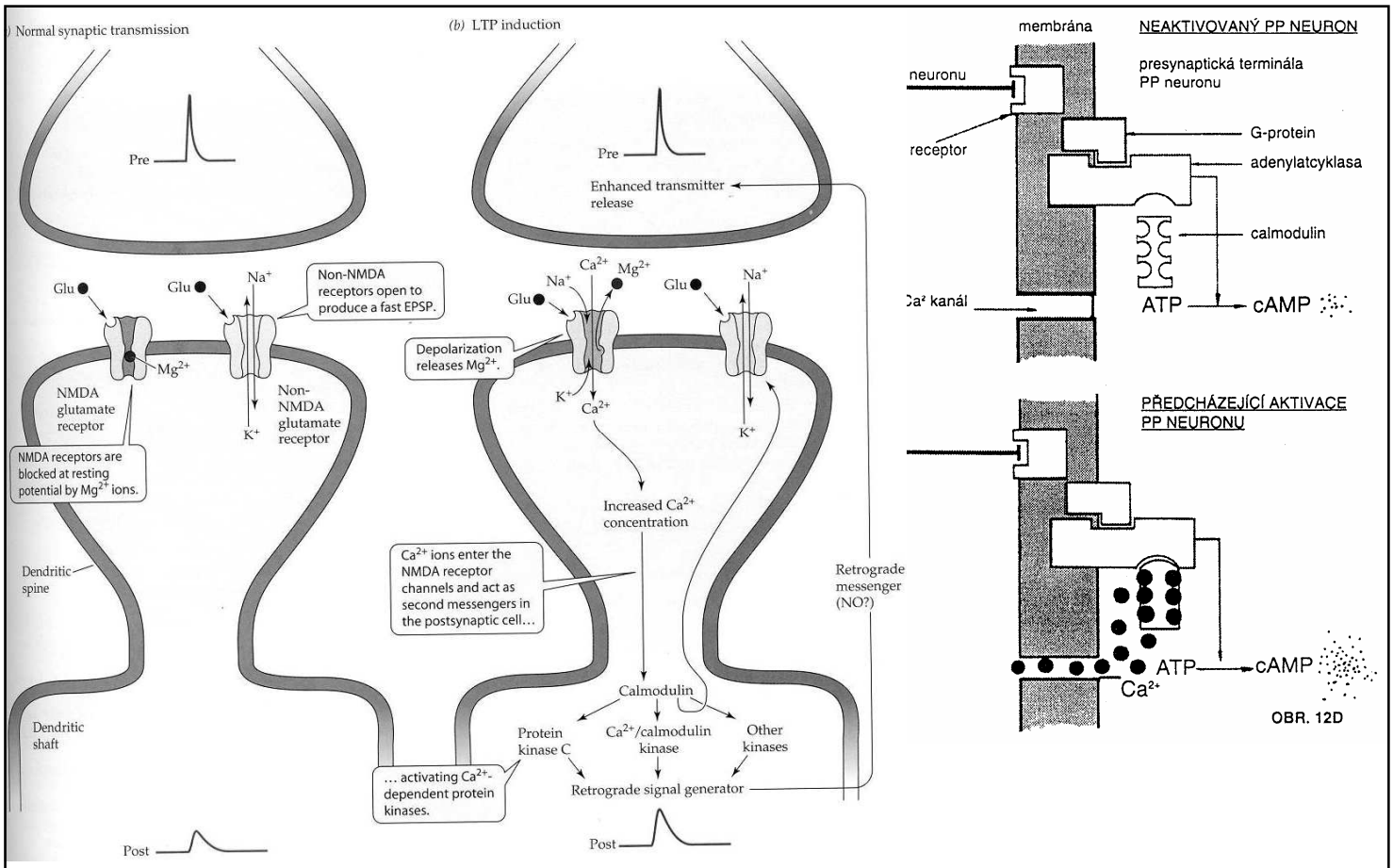


Figure 10.1 The limbic system (the main limbic system structures are sl...

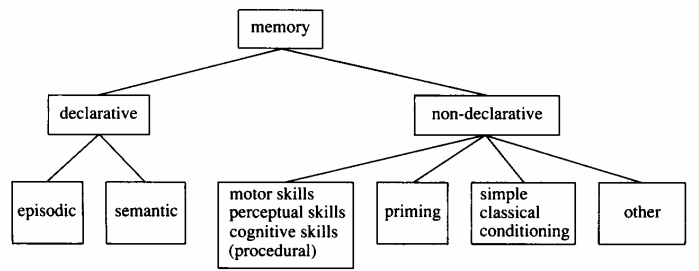
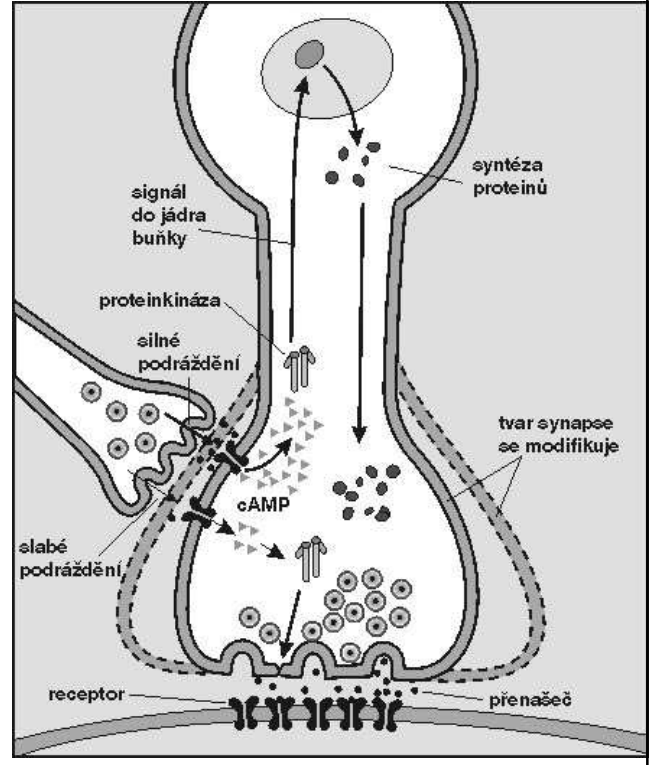


Figure 11.11 The classification of memory based on investigations of the amnesic syndrome.