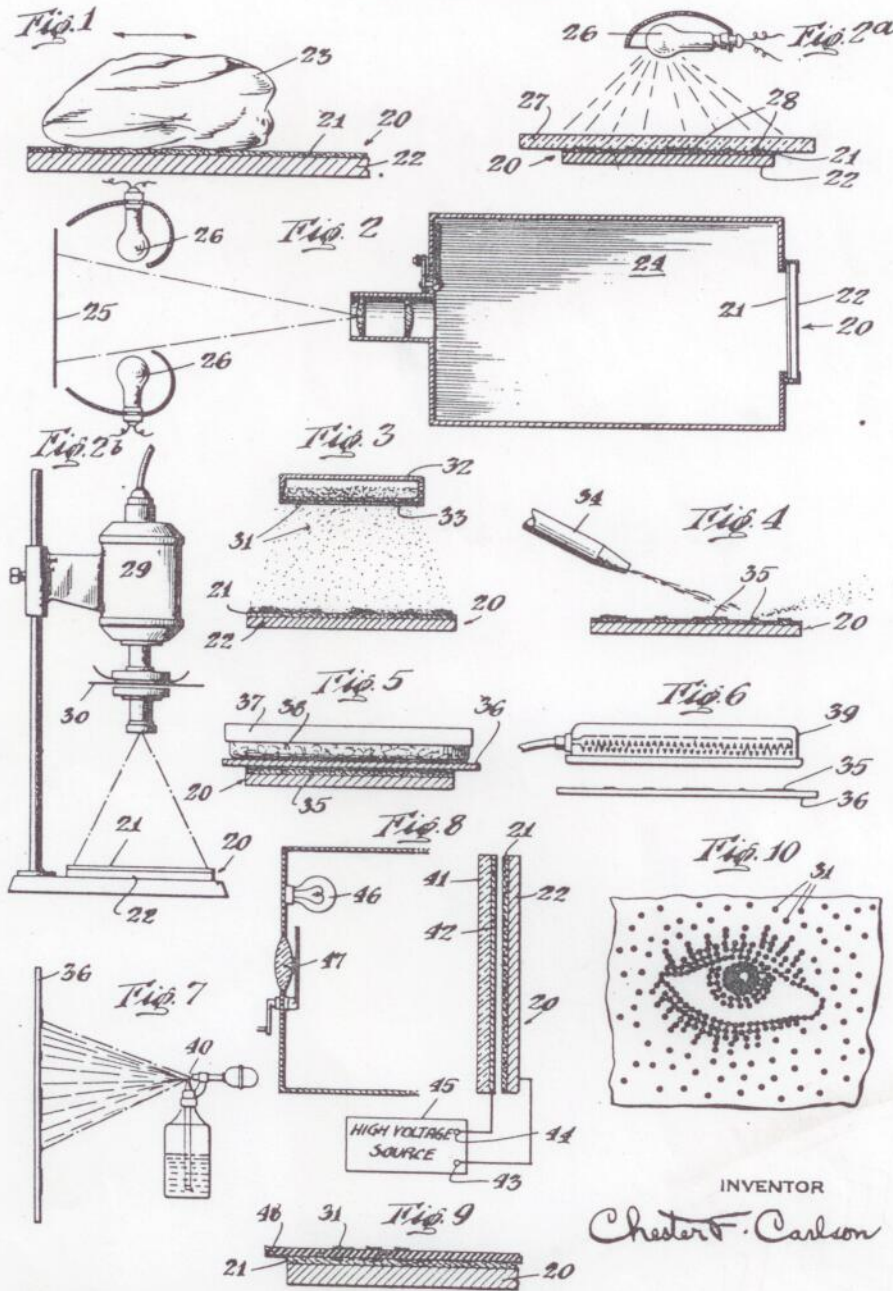


Oct. 6, 1942.

C. F. CARLSON  
ELECTROPHOTOGRAPHY

2,297,691

Filed April 4, 1939



INVENTOR

Chester F. Carlson

Fig. 1.7. Illustrations from Carlson's Original Patent. In this drawing, Fig. 1 is a section through an electrophotographic plate and illustrates a preferred method of applying an electric charge preparatory to exposure; Figs. 2, 2 (a), and 2 (b) show three methods of photographically exposing the plate; Figs. 3 and 4 show methods of developing the electrostatic latent image produced on the plate by preceding steps; Fig. 5, method of transferring the image to a sheet of suitable material, e.g., paper; Figs. 6 and 7, methods of fixing image to sheet; Fig. 8, a modified means for charging and exposing the electrophotographic plate; Fig. 9, another method of developing the image; Fig. 10 is an enlargement of a half-tone produced by the process. This process patent covered applications for Typography, Hectographic reproduction, Half-tones, Paper layers, Color photography.