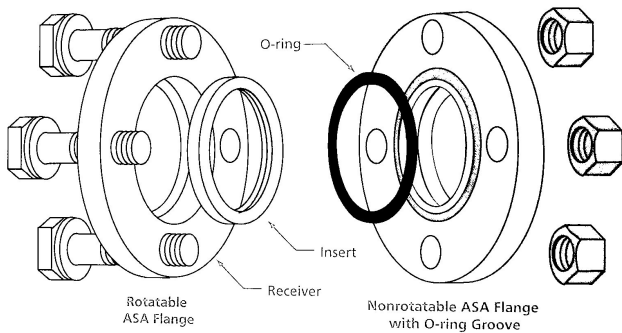


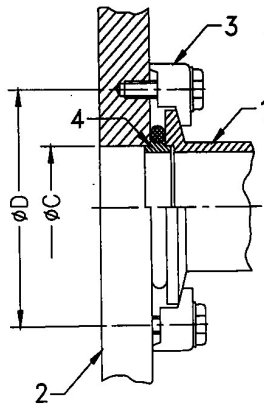
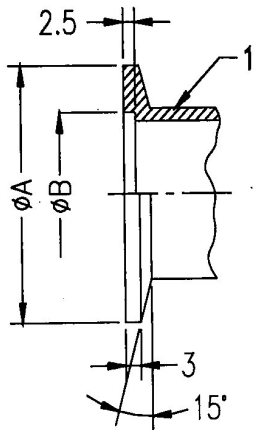
Rozebíratelné spoje

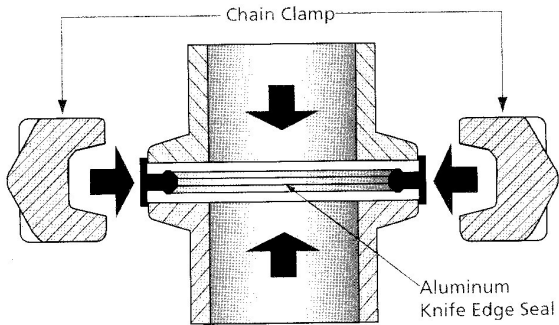
- ASA
- ISO-KF , (NW)
- ISO-K, ISO-F
- CF
- Wire seal flanges

ASA

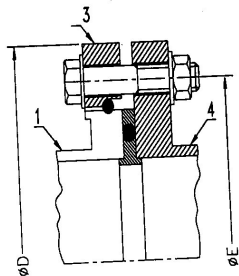
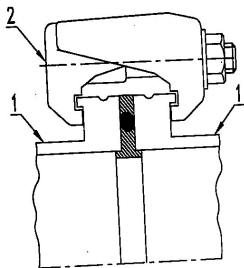


ISO-KF

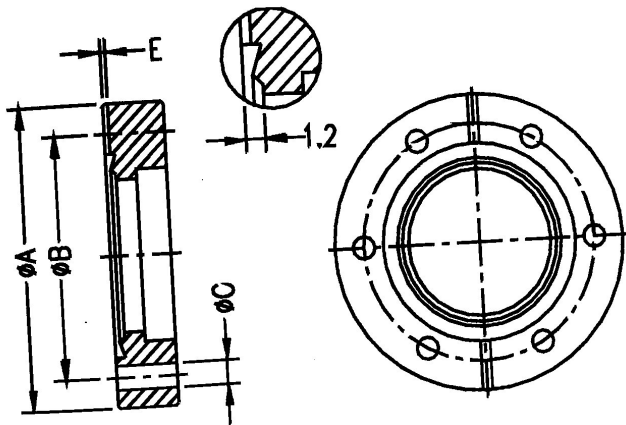




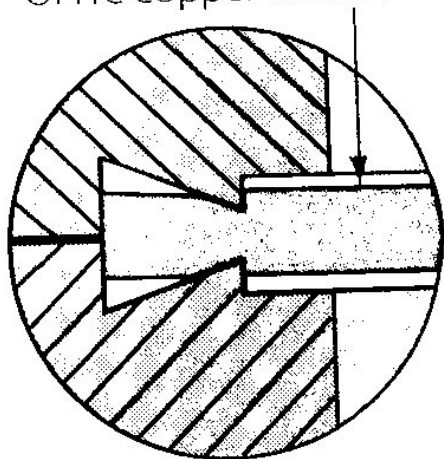
ISO-K, ISO-F



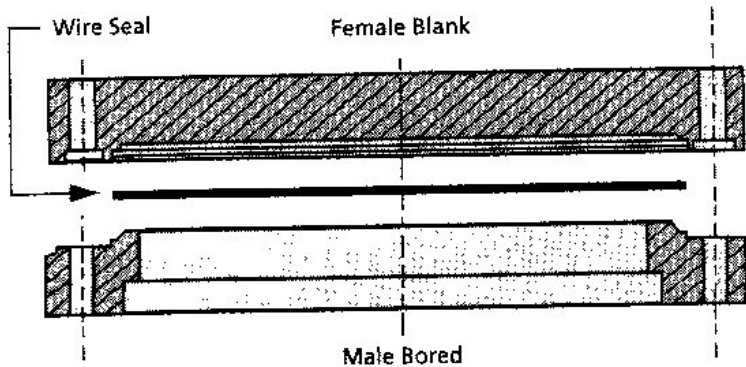
CF



OFHC Copper Gasket



Wire seal flanges



Sealants

	Temperature range	Reusable
Elastomer		
Neoprene (CR)	-40 to 100 °C	yes
Viton (FPM)	-15 to 150 °C	yes
Metals		
Indium	-196 to 60 °C	yes
Aluminum	-196 to 200 °C	no
Copper	-196 to 200 °C	no
Copper, silver-plated	-270 to 450 °C	no