

C2115 Practical Introduction to Supercomputing

Organization

Petr Kulhánek, Jakub Štěpán

kulhanek@chemi.muni.cz

National Centre for Biomolecular Research, Faculty of Science
Masaryk University, Kotlářská 2, CZ-61137 Brno



INVESTMENTS IN EDUCATION DEVELOPMENT

CZ.1.07/2.2.00/15.0233

Content

➤ Course organization

- Time schedule, teaching methods
- Knowledge evaluation, final test

➤ Cluster WOLF

- Room 1.18, structure, rules, administrators

➤ Prerequisites

- Accounts, work groups

Course organization

- Time schedule
- Block teaching
- Knowledge evaluation, final test

Time schedule

Teaching period: 17. 9. 2012 – 21. 12. 2012
Vacations: 22. 12. 2012 – 1. 1. 2013
Examination period: 2. 1. 2013 – 13. 2. 2013

Extent: colloquium (2 credits)

Total lecture time: 14 x 2 hours = 28 hours

Total course time demands:

1 ECTS credit -> 26 hours of studies (see ECTS Label)

2 credits -> 2x 26 hours = **52 hours of studies**

Block teaching

Monday – Wednesday: lectures
start at 9:00, finish at 16:00
lunch and breaks according to lecture

Thursday: **MetaCentrum, CERIT-SC excursion (morning)**
lectures 13:00 – 16:00

Friday: lectures
start at 9:00, finish at 10:00
final test: start at 10:00

Extent:

- final test (1 hour, 50 questions) 50 points
- summary report from exercises, all questions should be answered.

=====

Total: 50 points

Success: >= 30 points

Cluster WOLF

- **Room 1.18**
- **Structure**
- **Rules**
- **Administrators**

Room 1.18



- 23 PC
- 3D visualization
- Computing cluster organization

Safety rules!

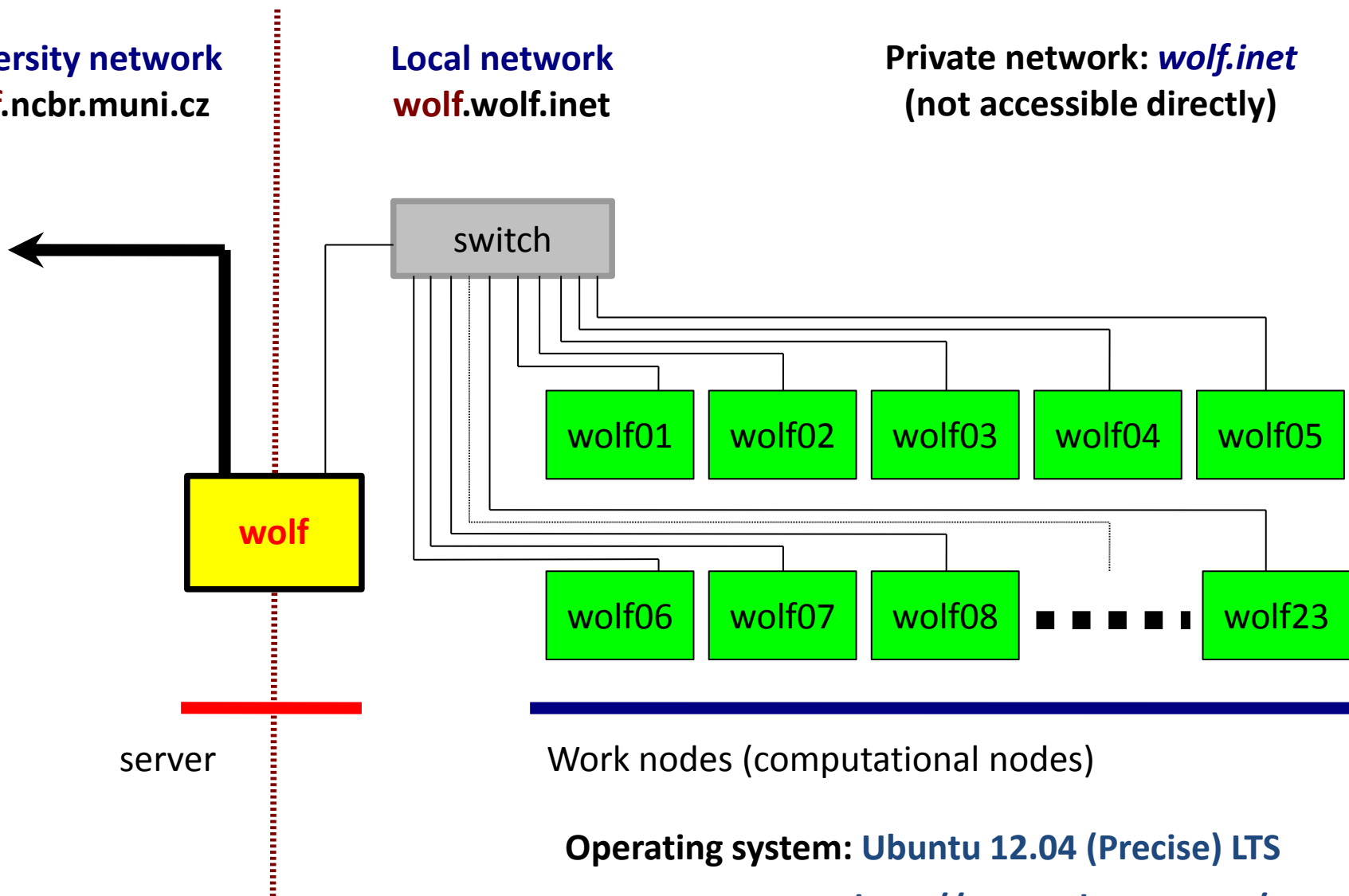
PC room is accessible to students of LCC group, and students of any course taught in same semester in room 1.18.

WOLF cluster structure

University network
wolf.ncbr.muni.cz

Local network
wolf.wolf.inet

Private network: *wolf.inet*
(not accessible directly)



server

Work nodes (computational nodes)

Operating system: **Ubuntu 12.04 (Precise) LTS**

<http://www.ubuntu.com/>

Rules

WOLF cluster is strictly dedicated to teaching purposes or scientific work within National Centre for Biomolecular Research.

It is strictly forbidden to:

- download data with illegal contents (author protected work etc.)
- virus and spam distribution
- system hacking

Removing or changes to unprotected content of other users

Obligatory are rules of Masaryk University network:

https://is.muni.cz/auth/do/rect/normy/smernicerektora/Smernice_MU_9-2013.pdf

Login name and password is user identity. Do never give it to any other person, send (e.g. by e-mail) or save unencrypted.

Cluster administrators - problems

Before contacting administrators, **consult** your problem with colleagues, teacher or supervisor. If you do not solve problem, **please report to administrators by e-mail**.

support@lcc.ncbr.muni.cz

In message state:

- Problem description, command name
- User name, machine name
- Copy error output from command line

Main WOLF cluster administrator:

Jakub Štěpán

Account management, hardware, system and software administrator

Scientific applications (modules) administrator:

Petr Kulháněk

Prerequisites

- **Accounts**
- **Work groups**

Prerequisites

- Access to building A4 and accross door to room 1.18 (ISIC)
- Devision to groups (group A, B, C, D)
- Study materials

`/home/kulhanek/Data/C2110`

`/home/kulhanek/Data/C2115`

- Account on cluster SOKAR

`$ ssh sokar.ncbr.muni.cz`

- Registration to MetaCentrum

<http://metavo.metacentrum.cz>